



C-Deck

INSTALLATION

GUIDE

Fire Rated Cement Fibre Decking

Wallbarn Ltd
Unit 16 Capital Business Centre
22 Carlton Road, South Croydon. CR2 0BS

IMS.T.990.v1

Phone : 0208 916 2222 Email : sales@wallbarn.com Website : www.wallbarn.com

Getting Started

You must take all normal safety precautions during the installation and handling of your Fire Rated Decking. When using power tools it is essential to follow the manufacturers' instructions regarding safety, We also recommend wearing a respirator mask, safety goggles and all other Personal Protection Equipment (PPE).

PERSONAL PROTECTION EQUIPMENT (PPE)

TOOLS



SAFETY GOGGLES

*Always use high quality Carbide Tipped blades for metal and Diamond Blade for CDeck Boards. Do not use angle grinder to cut boards.

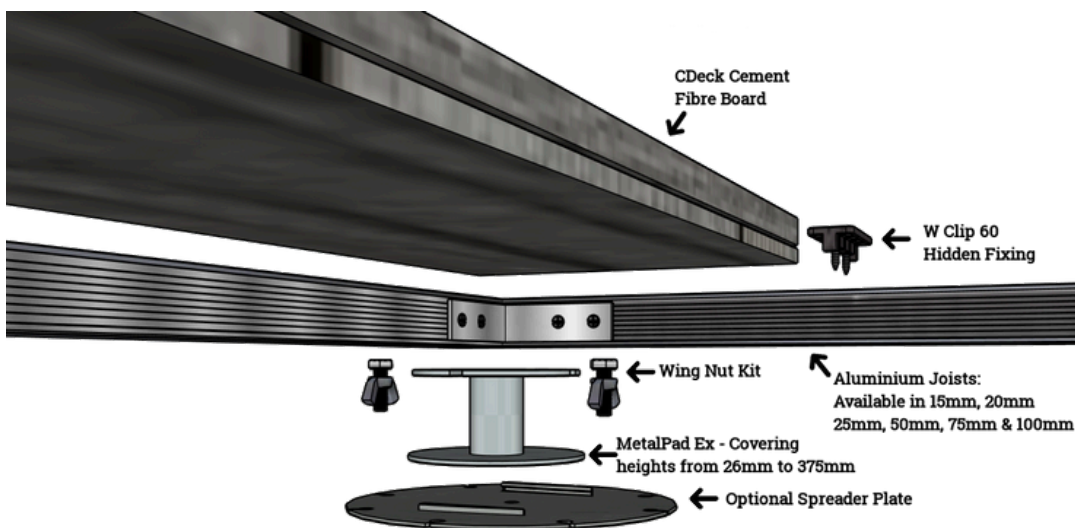


RESPIRATOR

FIXINGS



SAFETY GLOVES



Wallbarn Ltd
Unit 16 Capital Business Centre
22 Carlton Road, South Croydon. CR2 0BS

IMS.T.990.v1

Phone : 0208 916 2222 Email : sales@wallbarn.com Website : www.wallbarn.com

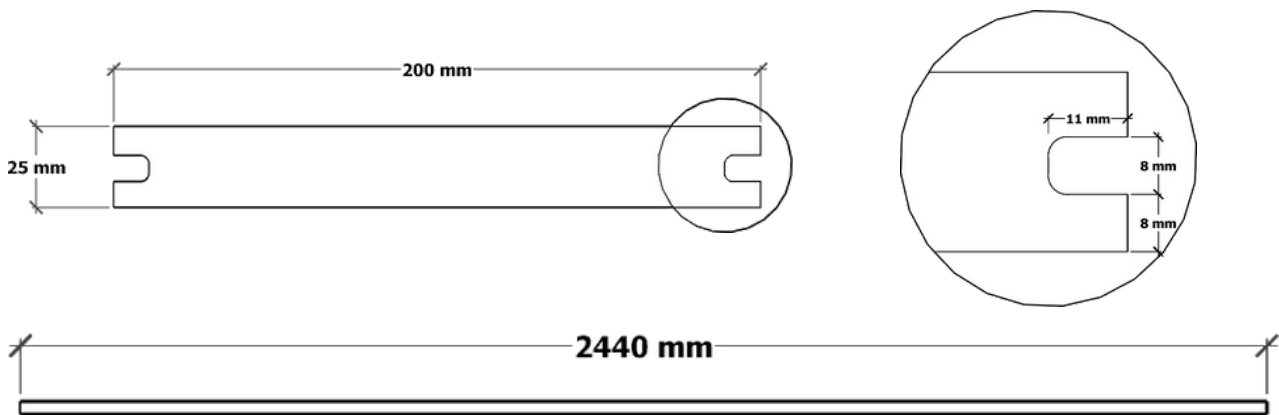
Components

CDeck Cement Fibre Board

CDeck cement fibre board has been produced and tested to the updated British building regulation standards BS 8579:2020 design of balconies and terraces. CDECK cement fibre board will never burn, rot, rust, or warp.

BOARD DIMENSIONS : 25mm (H) x 200mm (D) x 2,440mm (L)

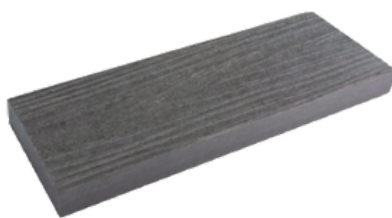
WEIGHT	
21 Kgs per Board	42 Kgs per sqm



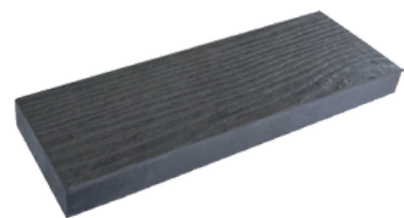
Colours



SILK GREY
Made to Order
Minimum 650sqm



DUSTY GREY
Made to Order
Minimum 650sqm



QUARTZ GREY
Stock Colour in the UK

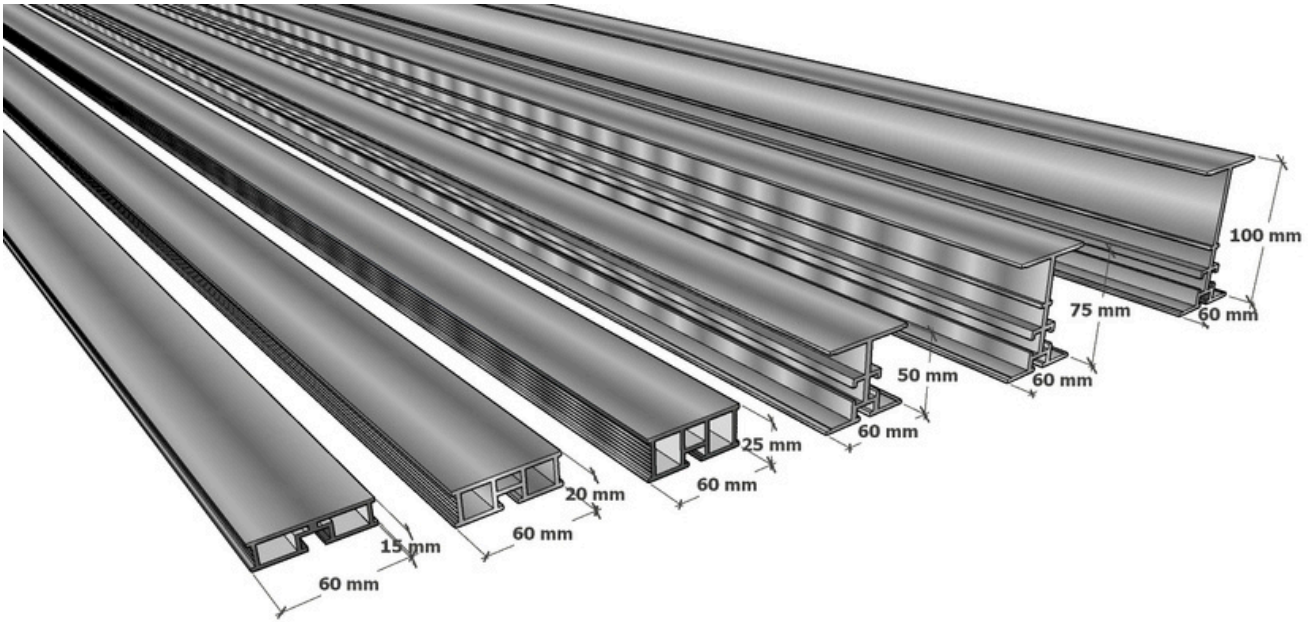
Wallbarn Ltd
Unit 16 Capital Business Centre
22 Carlton Road, South Croydon. CR2 0BS

IMS.T.990.v1

Phone : 0208 916 2222 Email : sales@wallbarn.com Website : www.wallbarn.com

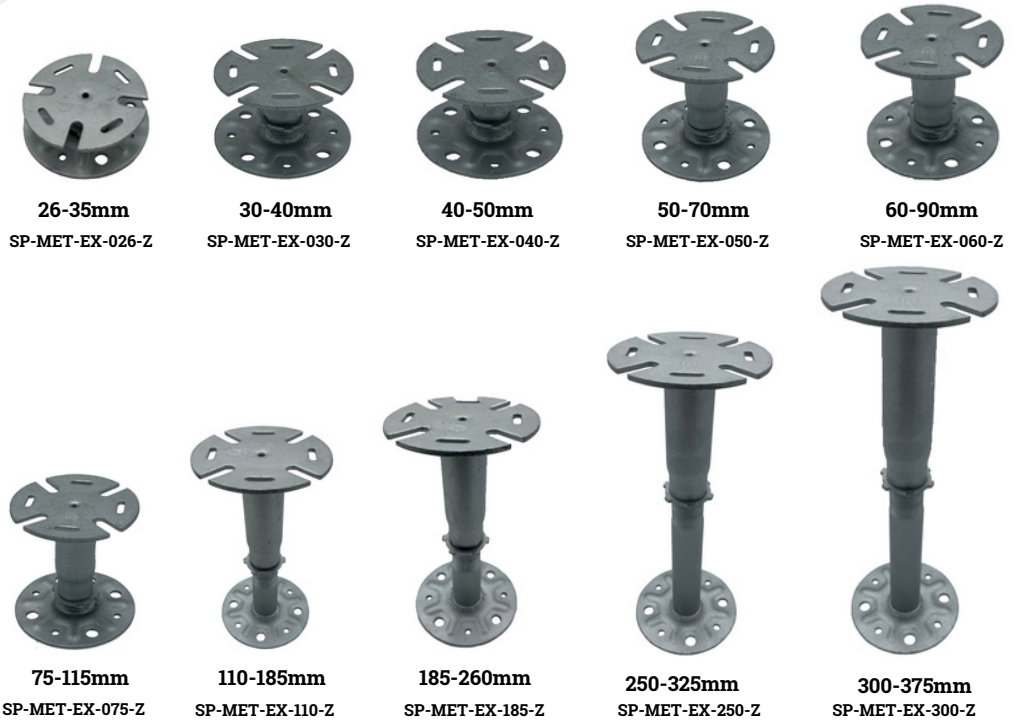
Aluminium Box & I-Plus Joists

The Box Rail comes in heights of 15mm, 20mm & 25mm with a length of 2,500mm. The I-Plus comes in heights of 50mm, 75mm & 100mm with a length of 3,600mm.



Adjustable Pedestals

The MetalPad Pedestals cover heights from 26mm to 375mm. The pedestal and aluminium joists are secured together using the supplied Wing Nut Kit.



Wallbarn Ltd
Unit 16 Capital Business Centre
22 Carlton Road, South Croydon. CR2 0BS

IMS.T.990.v1

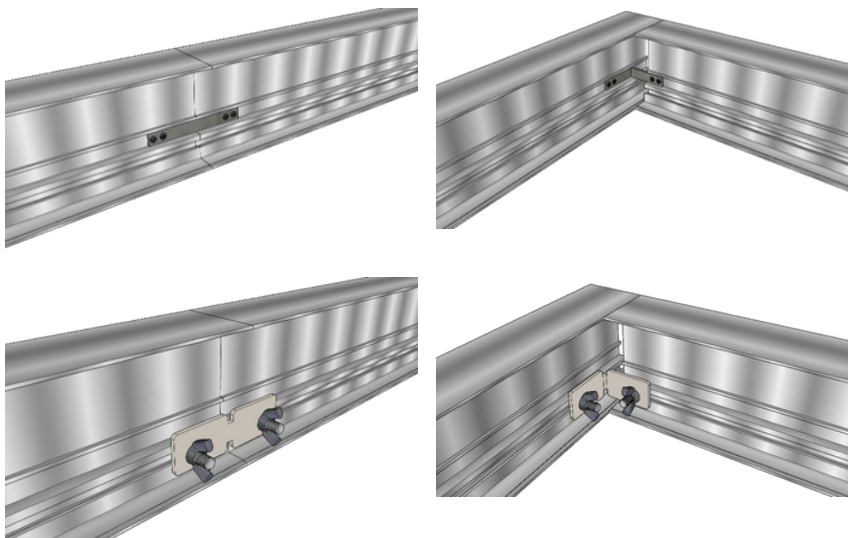
Brackets for Box Rail Joists

The Box Rail can be secured end to end or at right angles using brackets & screws supplied by Wallbarn.



Brackets for I-Plus Rail Joists

The I-Plus Joists can be secured end to end or at right angles. There are two options to achieve this. The first method involves using a self-tapping screw for a secure mechanical fixing. The straight and right-angle fixing brackets come with two counter-sunk holes, allowing you to easily attach them using the self-tapping screw. The alternative fixing method utilizes our Wing Nut/Bolt Kit for hand-tied fixing. To implement this method, slide the bolt head into the side or bottom profile of the I-Plus beam, then simply fit the wing nut around the bracket by hand.

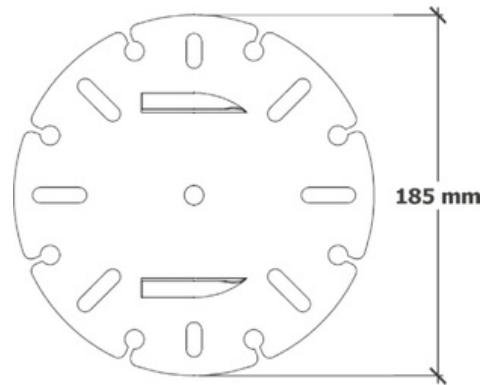


Wallbarn Ltd
Unit 16 Capital Business Centre
22 Carlton Road, South Croydon. CR2 0BS

IMS.T.990.v1

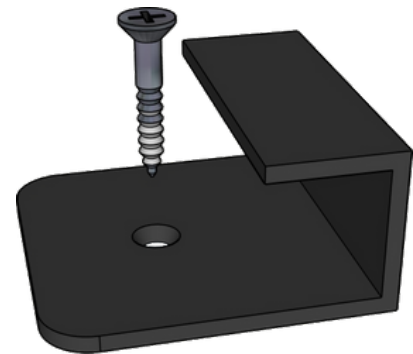
Optional Spreader Plate

The Spreader Plate is designed to significantly disperse weight and reduce point loading on vulnerable subfloors such as insulation or waterproof membranes. The pedestal simply slides into the Spreader plate without the need for mechanical fixing.



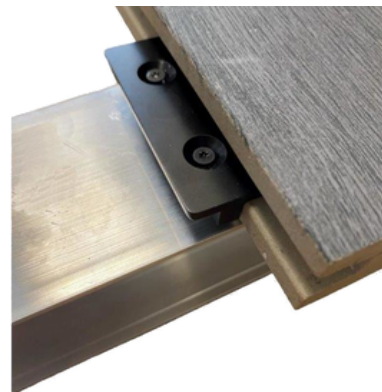
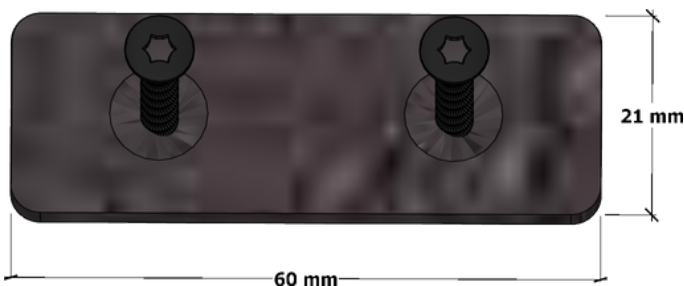
Start/Finish Clip

The Start Finish Clip is made from Stainless Steel and used to start your first and last board.



W Clip Hidden Fixing

The W Clip is used to secure the boards to the aluminium joists. It is 60mm wide and covers the 60mm wide aluminium joists so no shine from the joists can be seen through the gaps between the boards.



Wallbarn Ltd
Unit 16 Capital Business Centre
22 Carlton Road, South Croydon. CR2 0BS

IMS.T.990.v1

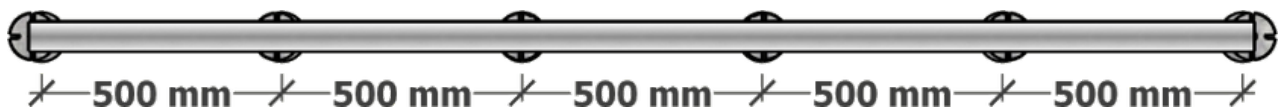
Pedestal Placement

The placement of pedestals is determined by the maximum joist centres of 400mm. The placement of pedestals along the joist depends on the sub-floor the system will be placed on and the height of the aluminium joist you are using.

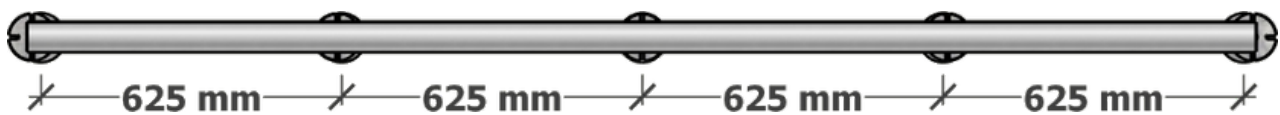
When laying on concrete or non-vulnerable sub-floors, refer to the recommended diagrams below to match the chosen joist. For vulnerable sub-floors like roofing membranes or insulation, check with the manufacturers of these products for their compressive strength.

We highly recommend using the optional Spreader Plate when laying pedestals on roofing membranes or insulation.

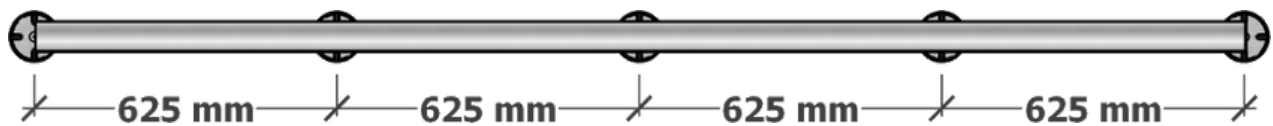
15mm Box Rail/Joist (2.5m Length)



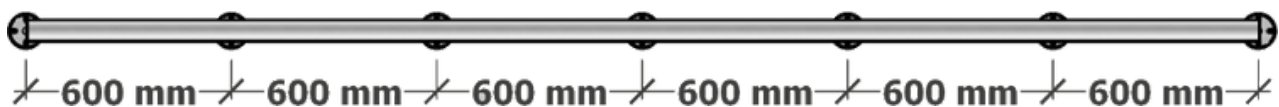
20mm Box Rail/Joist (2.5m Length)



25mm Box Rail/Joist (2.5m Length)



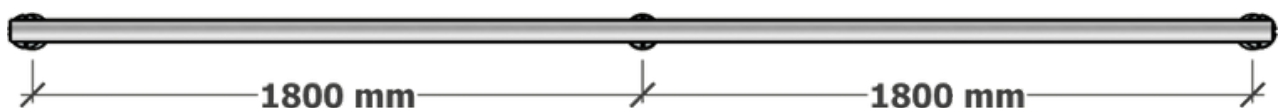
50mm Box Rail/Joist (3.6m Length)



75mm Box Rail/Joist (3.6m Length)



100mm Box Rail/Joist (3.6m Length)

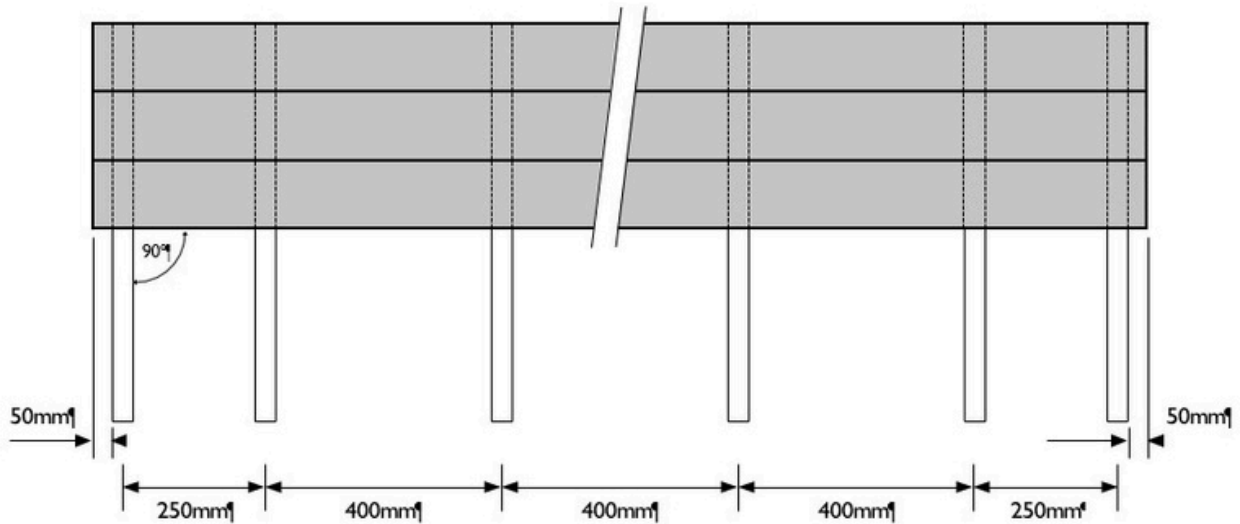




Joists laid at 400mm max centres

You will require 5mm per metre fall on the subframe. A maximum span of 250mm is required between the first and second support joists, this also applies to the second to last and last joists (see diagram 1)

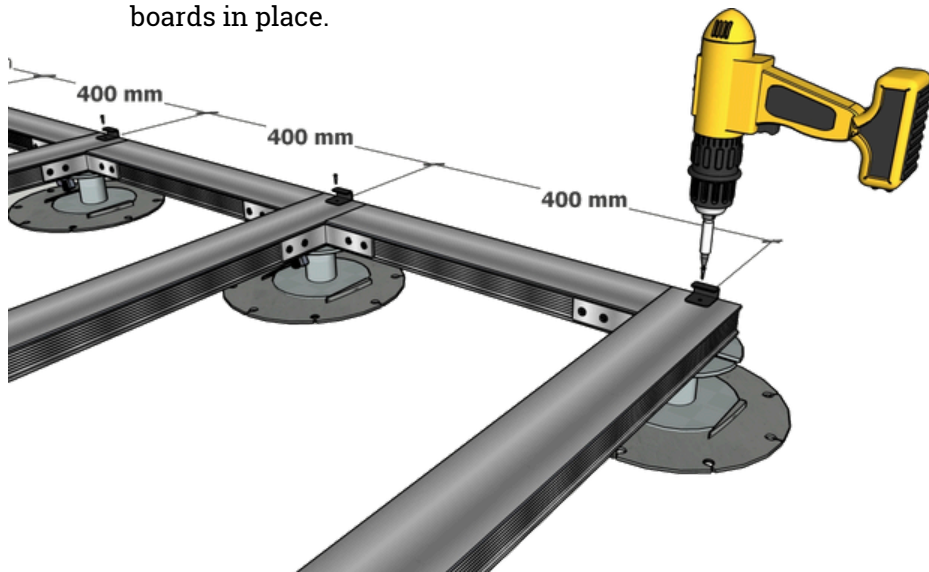
- A maximum of 400mm centres is recommended for all other support beams.
- A maximum overhang of 50mm is permitted for the ends of the deck.



Installing Start/Finish Clips

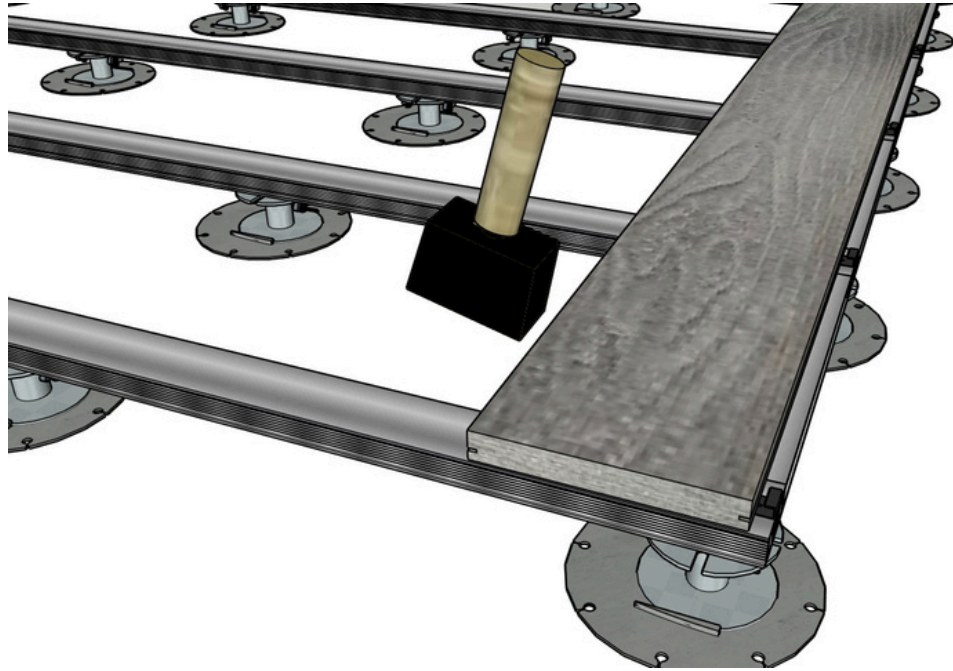
Once the substructure is in place, you can begin installing the C-Deck Fire Rated Decking Boards. Start by laying a row of Start/Finish Clips along the first run of your subframe. These clips will secure the first row of boards.

The Start/Finish Clips should be spaced no more than 400mm apart from the first support batten on the subframe. Once installed, the clips will provide a secure starting point for your decking and hold the first row of boards in place.

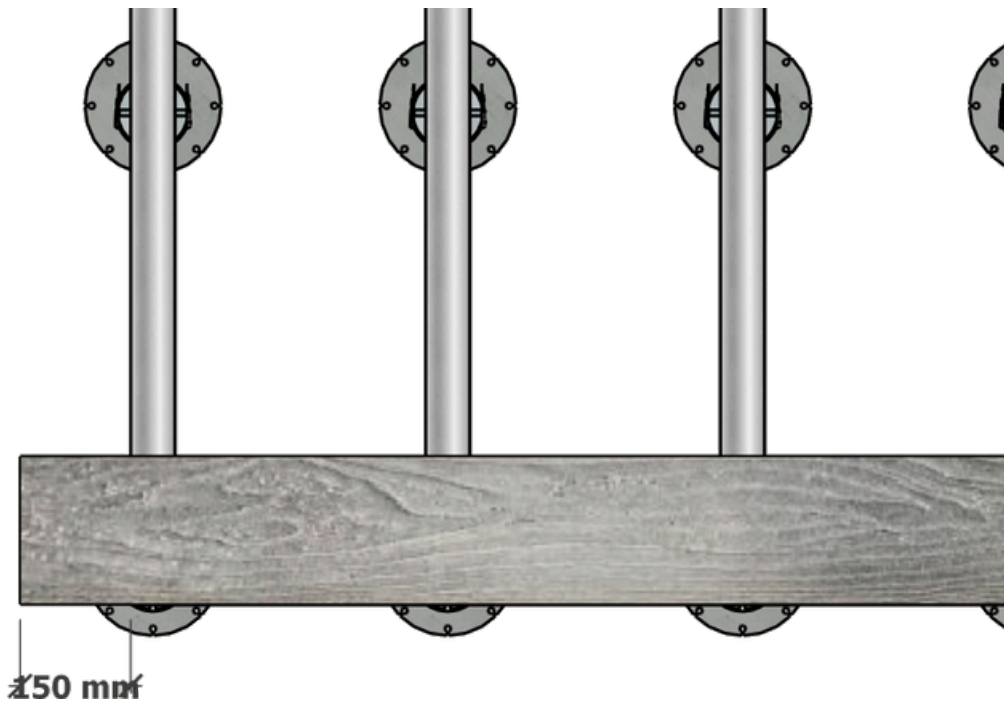


Laying First Board

Once your Start/Finish Clips are in place it is time to lay your first row of CDeck Boards. To do this you simply slide your Board into the clips as shown below. If there is any resistance at all you may need to give the boards a gentle tap with a rubber mallet, repeat this until all boards are in the desired position and fit flush inside the Start/Finish Clips.



Please Note: A maximum overhang of 150mm is allowed at the end of the Boards, and all Boards should span a minimum of three support joists on the sub frame. It is important to follow these guidelines as failure to do so could result in a faulty deck.



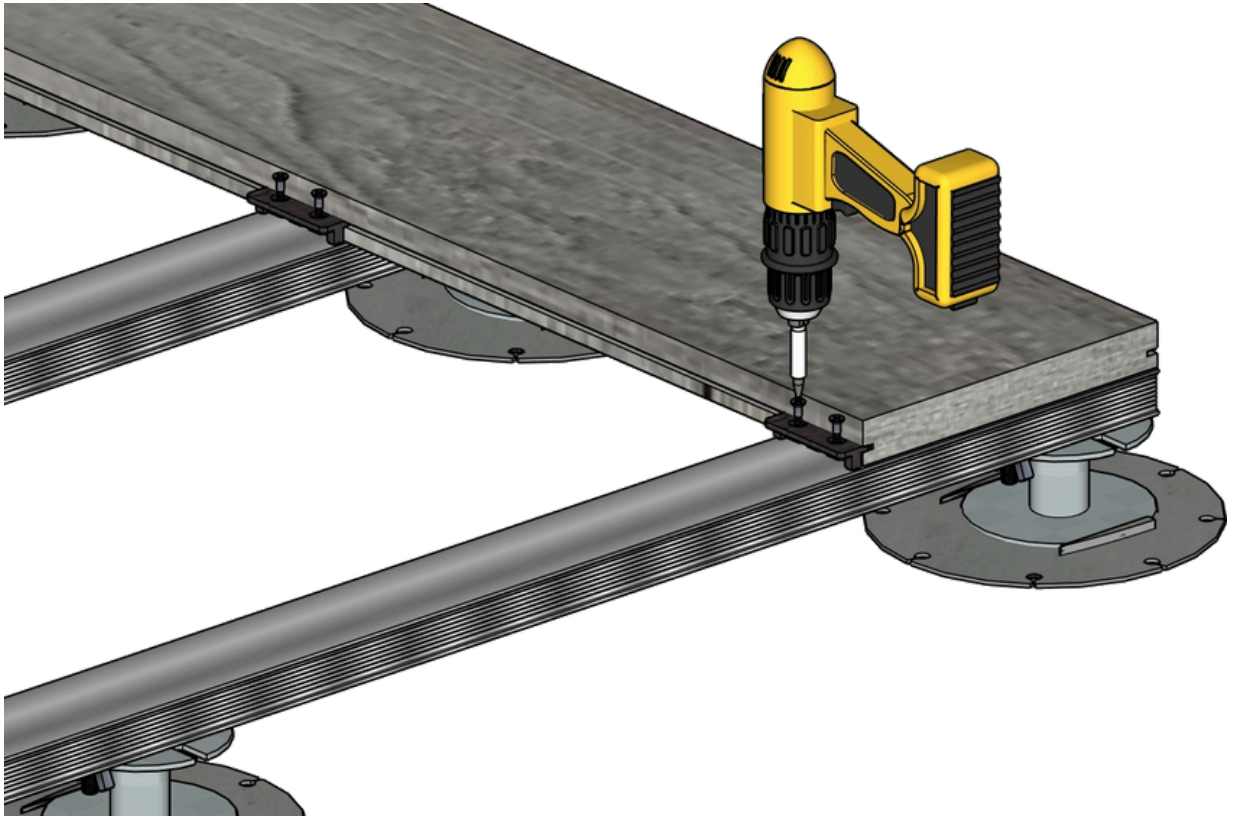
Wallbarn Ltd
Unit 16 Capital Business Centre
22 Carlton Road, South Croydon. CR2 0BS

IMS.T.990.v1

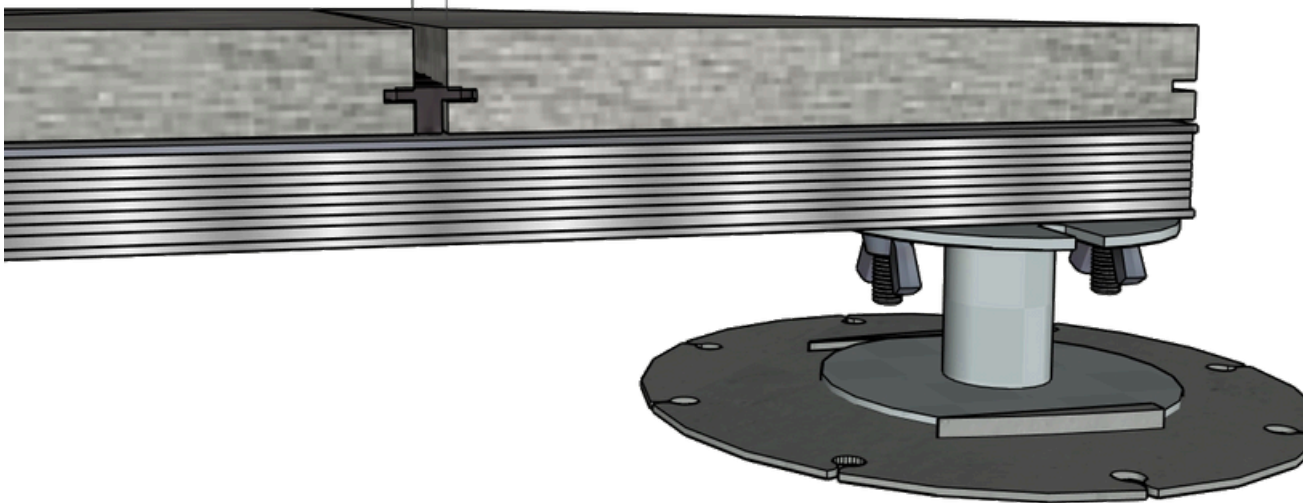
Phone : 0208 916 2222 Email : sales@wallbarn.com Website : www.wallbarn.com

Secure first board

When the first row of boards are in position you will need to place a W Clip into the groove of the Boards and secure with the two screws provided, taking care not to tighten the screws too much at this point. You will need to ensure the correct position before you can fully tighten the screws. And repeat this process for all other Deck Boards.



Gap for drainage is between 5 to 6mm



Wallbarn Ltd
Unit 16 Capital Business Centre
22 Carlton Road, South Croydon. CR2 0BS

IMS.T.990.v1

Phone : 0208 916 2222 Email : sales@wallbarn.com Website : www.wallbarn.com

Continue laying
your Boards

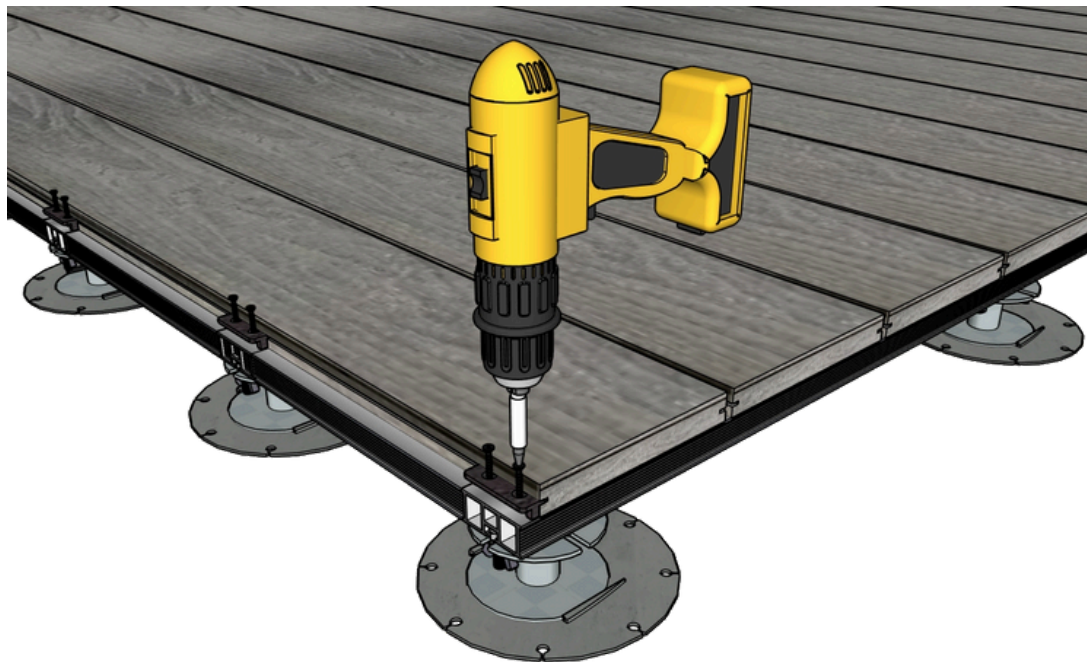
Continue to lay your boards and secure each one with the W Clip until area is covered.



Laying the last
board

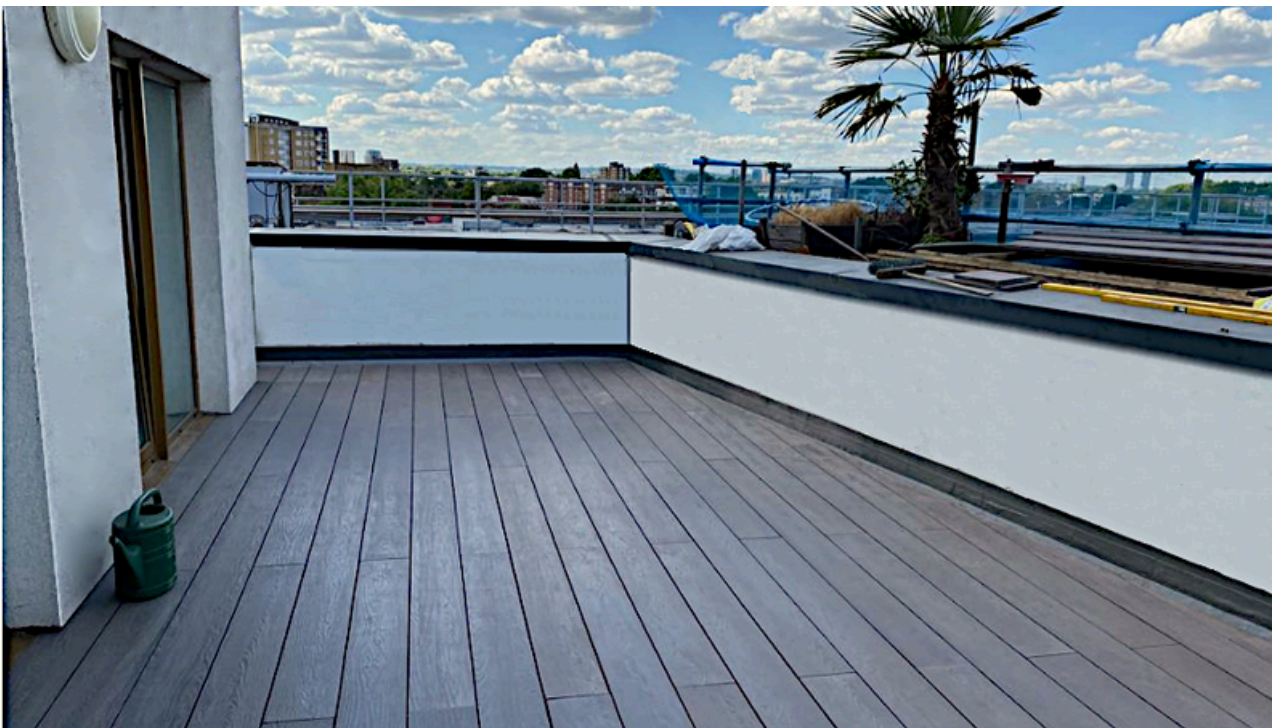
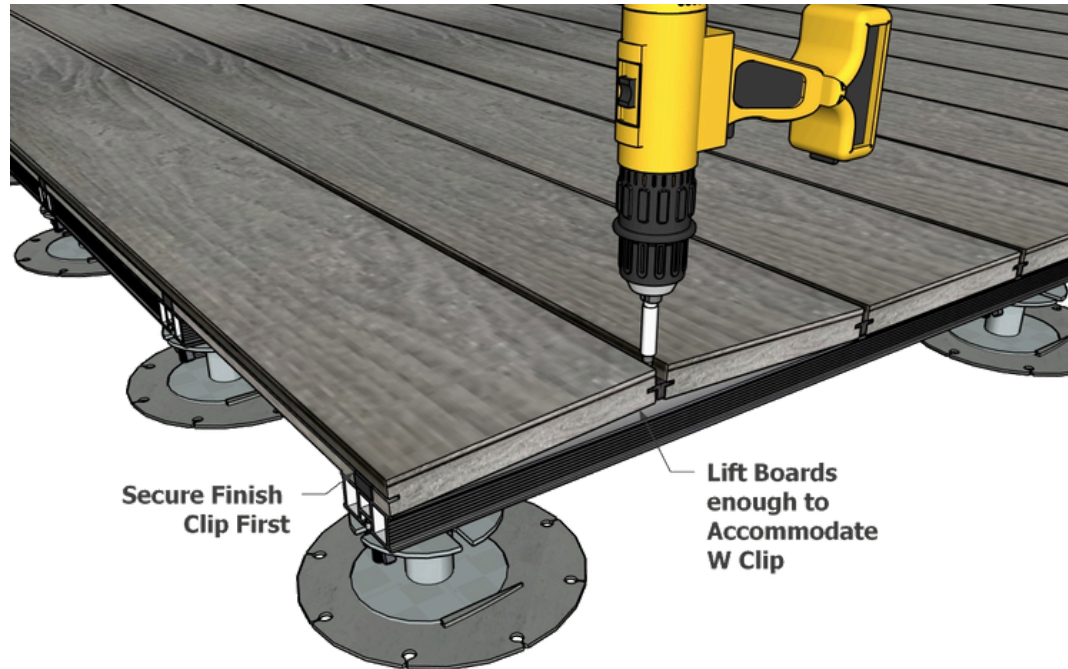
If you need to cut the last board to size, you will need to cut a groove into the board to accommodate a Start/Finish Clip or a W Clip to secure the last boards.

Method 1 : Simply fit the W Clip as per the previous boards to secure the last board.



Laying the last board

Method 2 : Once the groove is made, fix the Finish Clip to the joist. Next, pull the Start/Finish Clip back as far as it will go. Place your last board in position, then tighten the screws on all the clips. To finish, use a mallet to gently tap the Finish Clips to hold the last board in place.



Wallbarn Ltd
Unit 16 Capital Business Centre
22 Carlton Road, South Croydon. CR2 0BS

IMS.T.990.v1

Phone : 0208 916 2222 Email : sales@wallbarn.com Website : www.wallbarn.com

Other Information

Datasheets and other information are available upon request.



We are here for any
questions you have

Contact

Wallbarn
Unit 16
Capital Business Centre
22 Carlton Road
South Croydon
CR2 0BS

www.wallbarn.com
sales@wallbarn.com
+44 (0) 20 8916 2222