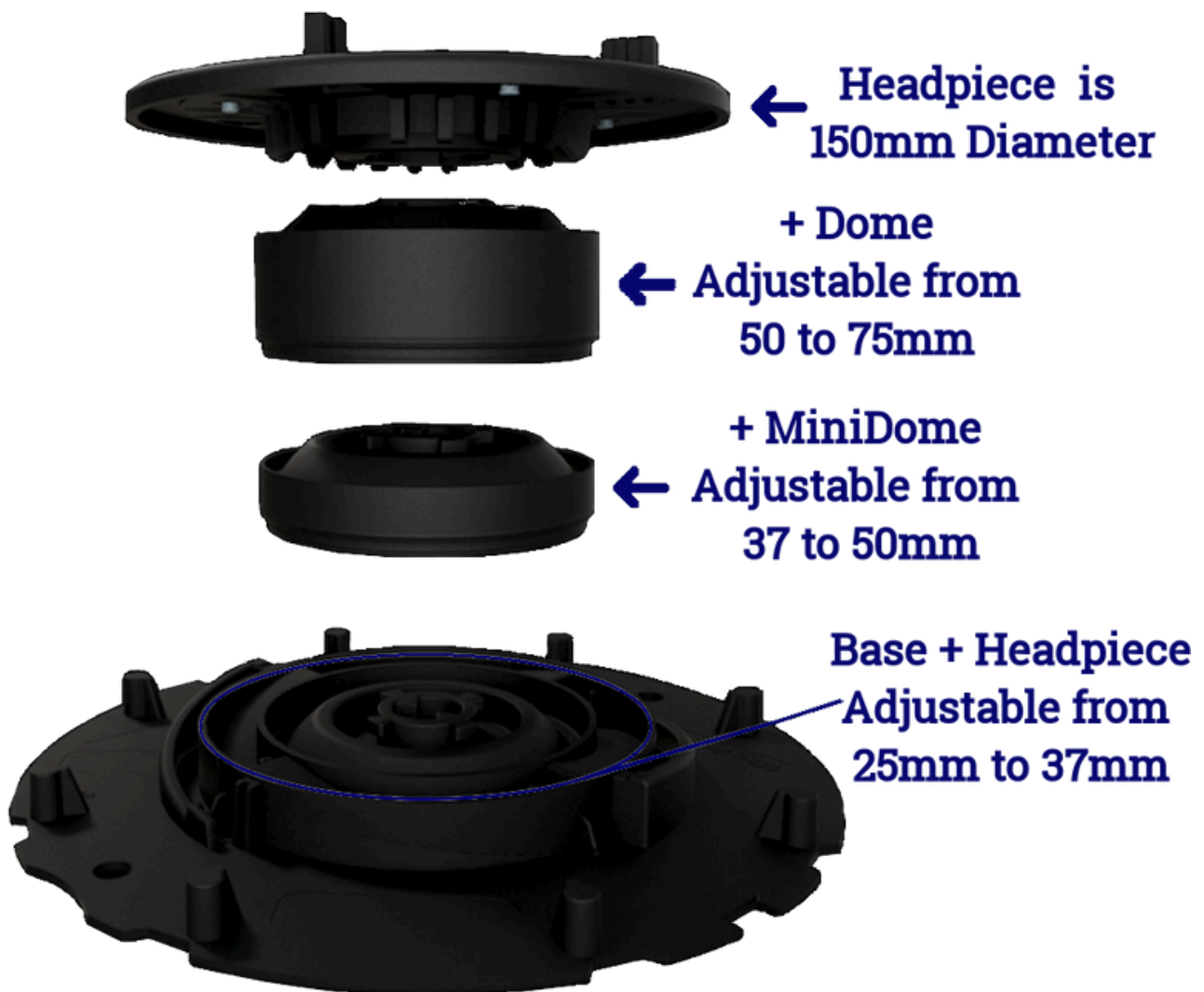




Assembly of Mega Balance Universal 25mm to 75mm

There are just four components required to achieve this range of heights. For lower heights, use only the adjustable base and the headpiece. To reach the necessary heights, add either the Half Dome or the Dome. Both the Half Dome and the Dome can serve as height extenders for the entire Mega Balance range, with a limit of three Mini Dome or Dome per pedestal.

Each component fits easily into place without the need for any mechanical fixing, simplifying installation and adjustment.



Wallbarn Ltd

IMS.T.1017.v1

Unit 16 Capital Business Centre
22 Carlton Road, South Croydon. CR2 0BS

Phone : 0208 916 2222 Email : sales@wallbarn.com Website : www.wallbarn.com