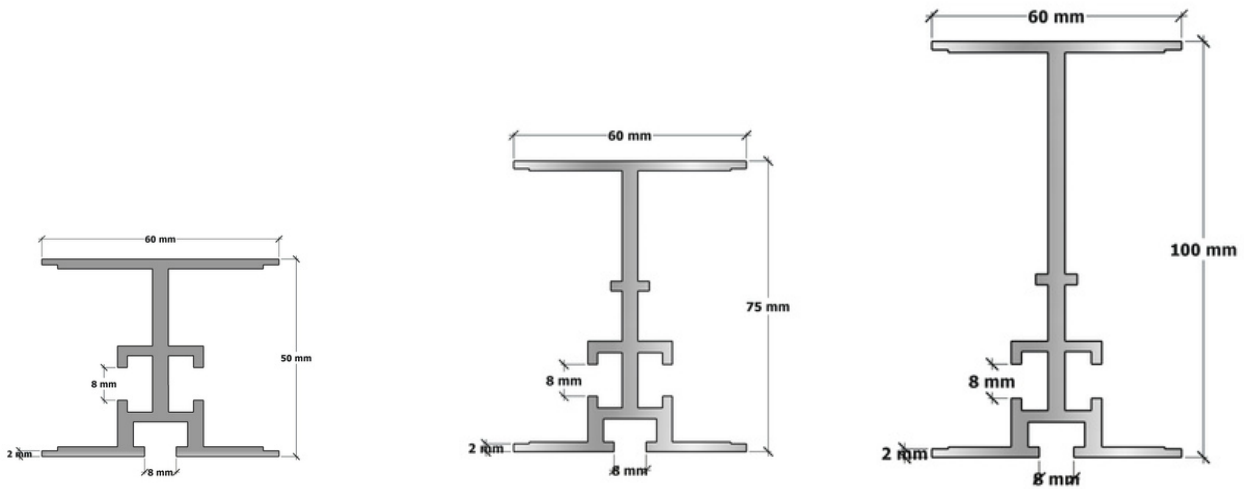




Wallbarn - Technical Datasheet

Brackets/Connections for I-Plus

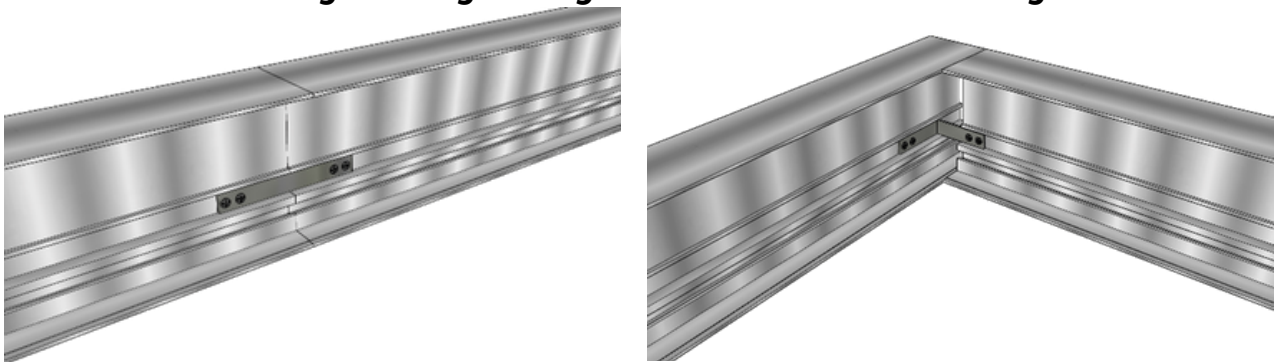


Function

I-Plus Beams can be secured end to end or at right angles. There are two options to achieve this, providing convenience during installation. The first method involves using a self-tapping screw for a secure mechanical fixing. The straight and right-angle fixing brackets come with two counter-sunk holes, allowing you to easily attach them using the self-tapping screw.

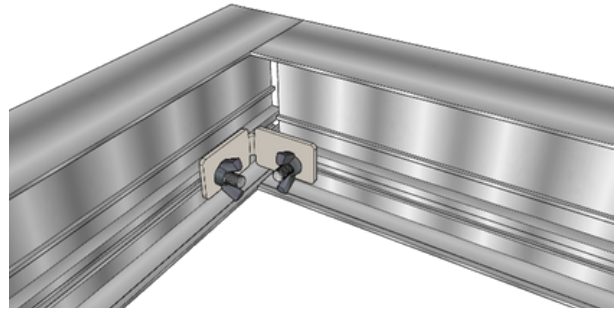
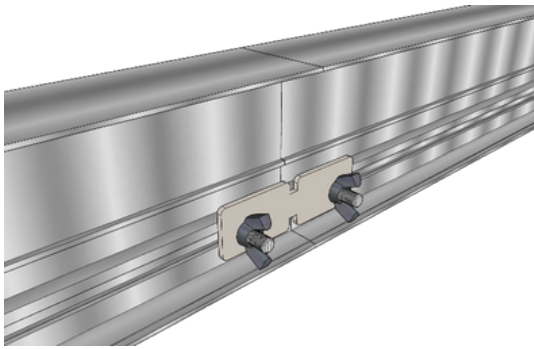
The alternative fixing method utilizes a wing nut and an M8 bolt for hand-tied fixing. To implement this method, slide the bolt head into the side or bottom profile of the I-Plus beam, then simply fit the wing nut around the bracket by hand. The advantage of this approach is that it allows you to initially secure the framework loosely, giving you the flexibility to readjust and achieve precise alignment. Once the exact alignment is achieved, tighten the wing nuts to securely fasten the substructure in place. This way, you can ensure a well-fitted and stable construction.

Straight & Right Angle Bracket – Screw Fixing

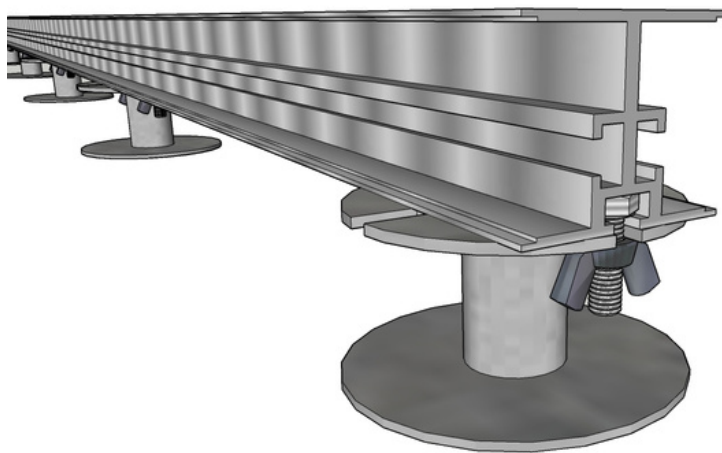




M8 Straight & Right Angle Bracket with Wingnut Kit



Connecting to MetalPad Ex Pedestal with Wingnut Kit



Technical Data – M8 Bracket, Wingnut & Bolt Kit

| | |
|----------------------|---|
| Fire Rating | Class A |
| Compatibility | Compatible with All Wallbarn aluminium I-Plus Beams |
| Range | Stainless steel with Zintec 200 Coating |
| Performance | Resistant to deterioration by UV light, damp and normal atmospheric conditions in the long term |
| Material | Stainless steel |
| Recycled | No |
| Recyclable | Yes |

Wallbarn Ltd
Unit 16 Capital Business Centre
22 Carlton Road, South Croydon. CR2 0BS

IMS.T.1000.v2

Phone : 0208 916 2222 Email : sales@wallbarn.com Website : www.wallbarn.com



Technical Data – Screw Fix Straight & Right Angle Brackets

| | |
|----------------------|---|
| Fire Rating | Class A |
| Compatability | Compatible with All Wallbarn aluminium I-Plus Beams |
| Range | Stainless steel with Zintec 200 Coating |
| Performance | Resistant to deterioration by UV light, damp and normal atmospheric conditions in the long term |
| Material | Galvanised steel |
| Recycled | No |
| Recyclable | Yes |

| Item | URL |
|---------------------------|---|
| Connections I-Plus | https://www.wallbarn.com/substructure/i-plus-beam/#connections |