





Class A Ultra Low Rail Holders - Technical Datasheet



Wallbarn's Class A1 Ultra Low Rail Holders are crafted from high-grade extruded aluminium, designed and manufactured by Wallbarn in the United Kingdom. Suitable for both paving and decking projects when used with any of our Aluminium rails/joists, these holders are perfect for situations where a substructure system requires an exceptionally low height threshold.

PHYSICAL AND CHEMICAL PROPERTIES

| | 17mm Ultra Low Rail Holder | 27mm Ultra Low Rail Holder |
|----------------------------|---|---|
| Profile |  |  |
| Material | Aluminium 6063 T6 | Aluminium 6063 T6 |
| Weight | 0.074kgs | 0.081gs |
| Height | 17mm | 27mm |
| Width | 93mm | 93mm |
| Length | 60mm & 93mm | 60mm & 93mm |
| Fire Classification | Class A1 BS EN 13501-1 2018 | |

Wallbarn Ltd
Unit 16 Capital Business Centre
22 Carlton Road, South Croydon. CR2 0BS

IMS.T.1010.v1

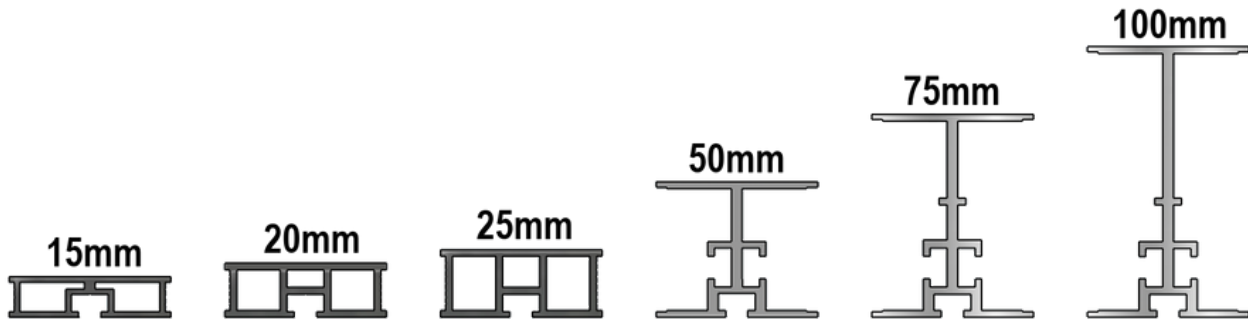
Phone : 020 8916 2222 Email : sales@wallbarn.com Website : www.wallbarn.com



Class A Ultra Low Rail Holders - Technical Datasheet

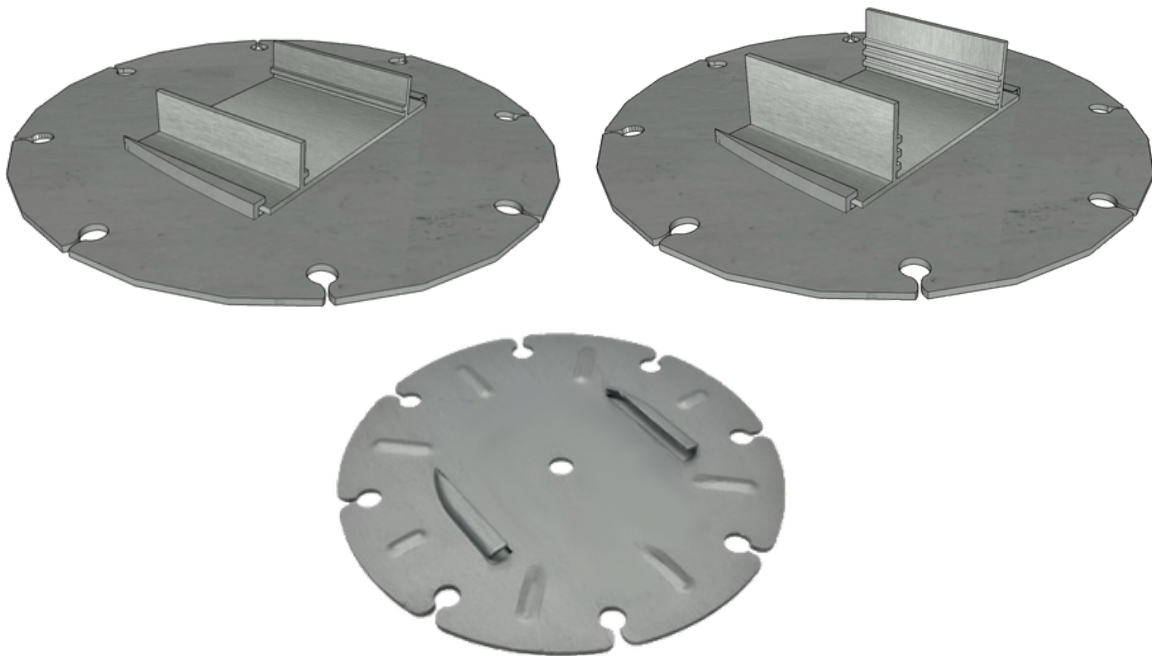
Compatible Rails/Joists

For paving or decking applications, select any of Wallbarn aluminium rails/joists for a Class A1 substructure system.



Optional Spreader Plate

The Ultra Low Rail Holders are suitable for hard subfloors such as concrete. For vulnerable sub floors such as insulation, the Wallbarn Spreader Plate is available to reduce point loading and disperse weight over 185mm diameter.





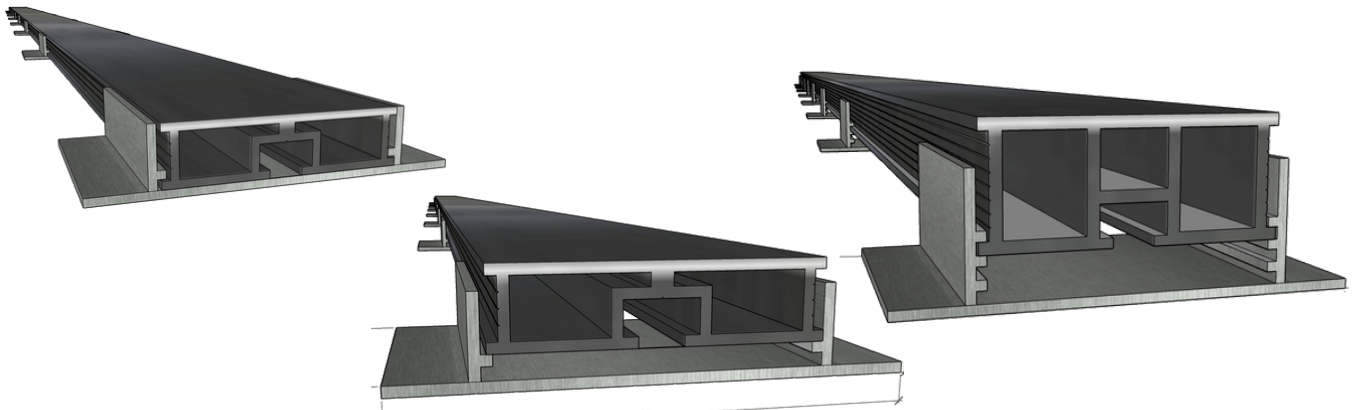
Class A Ultra Low Rail Holders - Technical Datasheet

Aluminium Ultra Low Rail Holder Profiles

17mm



27mm



Wallbarn Ltd
Unit 16 Capital Business Centre
22 Carlton Road, South Croydon. CR2 0BS

IMS.T.1010.v1

Phone : 020 8916 2222 Email : sales@wallbarn.com Website : www.wallbarn.com