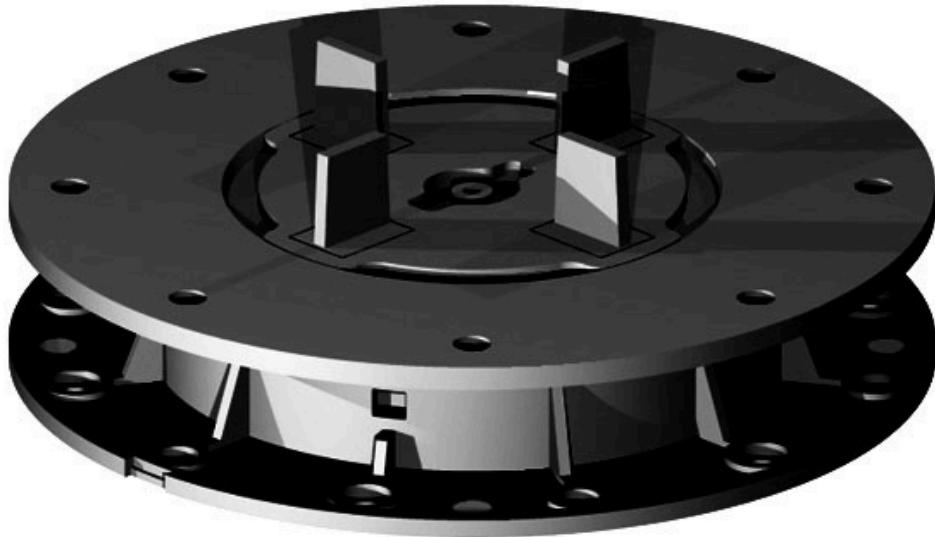


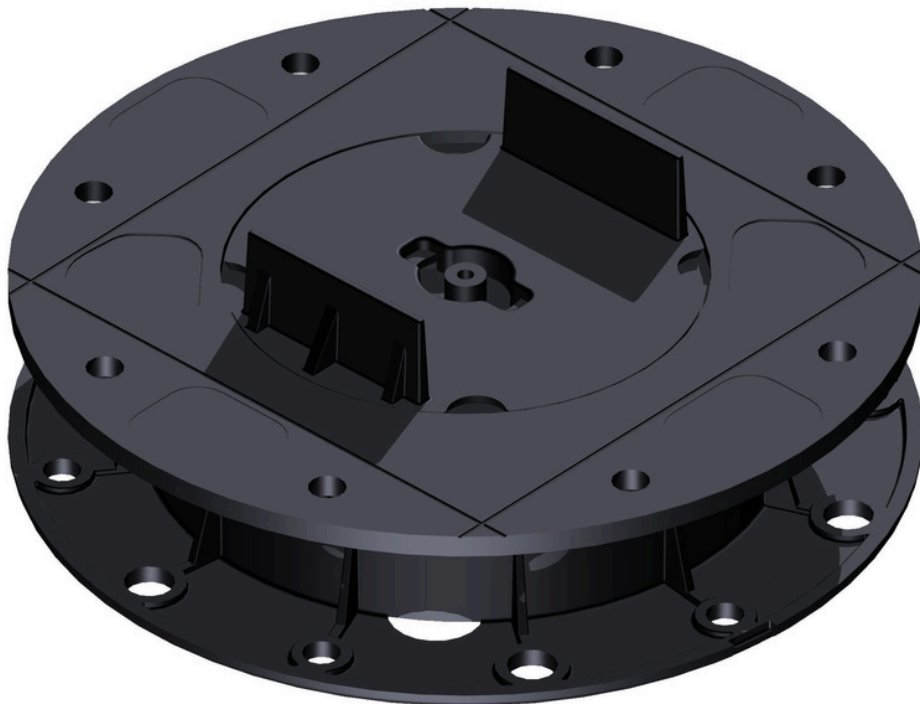


Wallbarn - Technical Datasheet

MiniPad Pedestal



Paving



Decking

Wallbarn Ltd
Unit 16 Capital Business Centre
22 Carlton Road, South Croydon. CR2 0BS

IMS.T.101.v3

Phone : 0208 916 2222 Email : sales@wallbarn.com Website : www.wallbarn.com



PRODUCT DESCRIPTION

Adjustable Height Pedestals for use with suspended paving, tiling or decking systems. 10 to 40mm in height covered by three different pedestals– injection moulded support pedestals made from virgin fibre Polypropylene (PP) with no fillers.

PHYSICAL AND CHEMICAL PROPERTIES

MATERIAL	Virgin fibre injection moulded polypropylene
WEIGHT TOLERANCE	683kg
MAX TEMPERATURE	Plus 75 ° C
MIN TEMPERATURE	Minus 40 ° C
BASE PLATE DIAMETER	150mm
HEADPIECE DIAMETER	120mm
LUG WIDTH	2mm (4 & 6mm available on special order)
LUG HEIGHT	10mm (20mm available on special order)
APPEARANCE	Black injection moulded pedestal
ODOUR	None
pH	n/a
BOILING POINT	n/a
SOFTENING POINT	>75°C
FLASH POINT	n/a
FIRE CLASSIFICATION	EuroClass E
TOXICITY	These products are not classified as toxic



MiniPad Heights

PAVING



10-25m
SP-MEG-010-025-Z

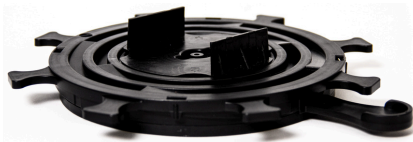


22-30mm
SP-MEG-022-Z



28-40mm
SP-MEG-028-Z

DECKING



10-25m
SP-TD-MEG-010-025-Z



22-30m
SP-TD-MEG-022-Z



28-40m
SP-TD-MEG-028-Z



Wallbarn Ltd

IMS.T.101.v3

Unit 16 Capital Business Centre
22 Carlton Road, South Croydon. CR2 0BS

Phone : 0208 916 2222 Email : sales@wallbarn.com Website : www.wallbarn.com