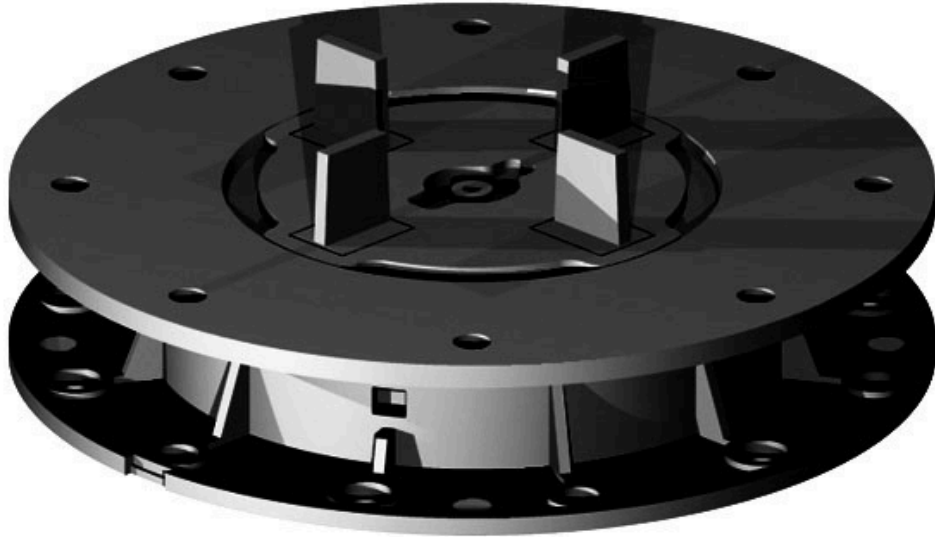


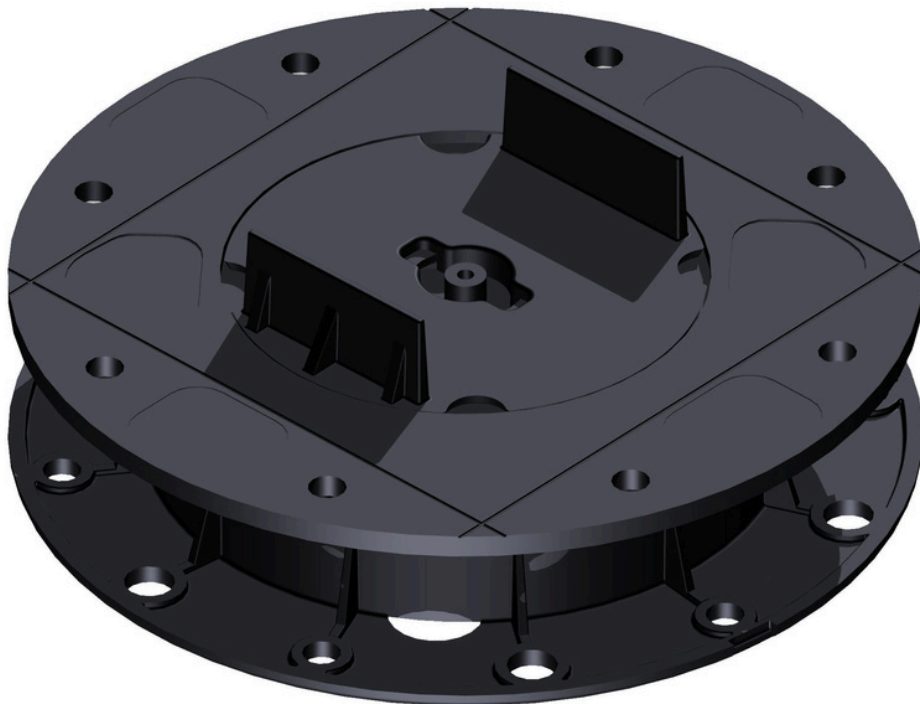


Operations & Maintenance Manual

MiniPad Pedestal



Paving



Decking

Wallbarn Ltd
Unit 16 Capital Business Centre
22 Carlton Road, South Croydon. CR2 0BS

IMS.T.1052.v2

Phone : 0208 916 2222 Email : sales@wallbarn.com Website : www.wallbarn.com



PRODUCT DESCRIPTION

Adjustable Height Pedestals for use with suspended paving, tiling or decking systems. 10 to 40mm in height covered by three different pedestals– injection moulded support pedestals made from virgin fibre Polypropylene (PP) with no fillers.

PHYSICAL AND CHEMICAL PROPERTIES

MATERIAL	Virgin fibre injection moulded polypropylene
WEIGHT TOLERANCE	683kg
MAX TEMPERATURE	Plus 75 ° C
MIN TEMPERATURE	Minus 40 ° C
BASE PLATE DIAMETER	150mm
HEADPIECE DIAMETER	120mm
LUG WIDTH	2mm (4 & 6mm available on special order)
LUG HEIGHT	10mm (20mm available on special order)
APPEARANCE	Black injection moulded pedestal
ODOUR	None
pH	n/a
BOILING POINT	n/a
SOFTENING POINT	>75°C
FLASH POINT	n/a
FIRE CLASSIFICATION	EuroClass E
TOXICITY	These products are not classified as toxic



MiniPad Heights

PAVING



10-25m
SP-MEG-010-025-Z

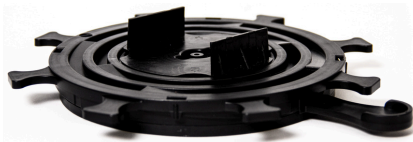


22-30mm
SP-MEG-022-Z



28-40mm
SP-MEG-028-Z

DECKING



10-25m
SP-TD-MEG-010-025-Z



22-30m
SP-TD-MEG-022-Z



28-40m
SP-TD-MEG-028-Z



Wallbarn Ltd

IMS.T.1052.v2

Unit 16 Capital Business Centre
22 Carlton Road, South Croydon. CR2 0BS

Phone : 0208 916 2222 Email : sales@wallbarn.com Website : www.wallbarn.com



Product Installation

These pedestals are designed for use on predominantly flat decks and are suitable for flat roofs, podium decks, balconies, terraces, and walkways.

They should be placed on structural decks that are sufficiently strong enough to support the weight of the system. It is important to ensure that waterproofing membranes are adequately protected before the installation of paving or decking systems, to prevent point loading and/or puncturing of the membrane.

Pedestals are typically loose-laid without mechanical fixings or adhesive, allowing them to move independently from the structural building and prevent stress points.

The placement of pedestals depends on various factors, and Wallbarn Technical staff are available to provide advice on recommendations based specifically on your project.

Other Accessories

There are a number of accessories that can be used with our pedestals, such as edge plates, levelling shims, Acoustic pads or profile edge plates. The use of these are dependent on your project's detail. The Wallbarn Technical Team will be able to advise on the use of these.

Maintenance Details

The pedestals are designed for long-term coverage without disturbance. It is essential to keep gaps between paving slabs or decking boards clear of debris to ensure proper drainage of the upper surface and prevent ponding and slip hazards.

The cavities between the structural subdeck and the surface material (paving or decking) should be inspected regularly, at least once per year, to make sure that drainage channels remain unblocked and that flammable materials do not accumulate. Jets of water should be used to clear limited amounts of debris, taking care to avoid blocking or damaging drainage outlets.

For significant or compacted debris build-up, it may be necessary to remove the upper surface (paving or decking system) to clear the debris effectively. If needed, this removal should be carried out using machines.



Hazards Identification

The major hazards identified for these products are physical and include manual handling.

First Aid Measures

In event of cuts or injury, wash out wound with plenty of clean water. Seek medical attention.

Fire-Fighting Measures

These products do not constitute a fire hazard. Use extinguishing media appropriate to the surrounding fire conditions.

Accidental Release Measures

Damaged product can be taken up and disposed of to landfill as inert waste if necessary; however recycling is the preferred method of disposal. As supplied, the products are not classified as hazardous.

Handling & Storage

When handling the pedestals, due regard should be paid to the risks outlined in the Manual Handling Operations Regulations 1992. Appropriate PPE should be used.

If cutting the base of the pedestal with a saw, appropriate measures to control dust and debris should be used. The product should be stored in a safe place out of strong weather conditions.

Wear suitable protective clothing e.g. overalls, gloves and safety boots to reduce the chances of physical injury while using this product.

Ecological Information

Subsequent to manufacture, this is a stable product with no known adverse environmental effects.

Disposal Considerations

Dispose of this product at any approved solid waste disposal site but recycling is best and recommended method of disposal. Wallbarn Mega Balance pedestals are made from virgin fibre Polypropylene and therefore will make for a higher quality recycled product. Disposal of the product should be in accordance with any local or national regulations although recycling is preferred.



WARRANTIES

A Limited Warranty exists that the products will comply with the test data as laid out in this document for a period of 15 Years. Warranty is limited to replacement of products which have been installed in the correct manner and for the correct purpose only. Warranty is limited to the value of the cost price of the materials only, not replacement costs or any other labour cost.

Under no circumstances shall Wallbarn Ltd be held responsible or liable for any incidental, consequential, indirect, special, punitive or any other damage (including, but not limited to, loss of profits, loss of sales, loss of start-up, loss or reduction of work).

This Limited Warranty covers our pedestals on condition that the Installation and Care & Maintenance Instructions are followed, and are installed according to Wallbarn Ltd guidelines.

See Terms and Conditions of the Warranty and Scope of the Guarantee below for other exclusions and limitations of this Warranty.

1) WARRANTY TERMS AND CONDITIONS

1.1 Complaints are physically examined by Wallbarn Ltd.

1.2 Complaints / claims should be filed in writing to Wallbarn Ltd.

1.3 Proof of purchase for the pedestals should accompany the written complaint / claim. Complaints / claims without the appropriate documentation will not be considered.

1.4 The company examining complaints (or its representatives) reserves the right to check the pedestals in the place of installation, the manner they have been installed and obtain details of the care and maintenance programme carried out before giving considering to the complaint/claim.

1.5 The complaint / claim is only valid if the products are installed in the territory that the original purchase was made.

1.6 Wallbarn Ltd reserves the right to either repair the defect or to offer material free of charge to the customer.

The above guaranteed lifetime of the pedestal exists only where the Products have been installed in the correct and proper manner.



2) VISUAL APPEARANCE WARRANTY ON DELIVERY

Each pedestal is carefully inspected by our quality control team personnel prior to leaving our factory to ensure they are defect free. We urge Customers and the installers to inspect each pedestal prior to installation. This Limited Warranty does not extend to cover defects in pedestals on delivery after installation has taken place.

3) SCOPE OF GUARANTEE

3.1 This guarantee is issued in accordance with and is subject to the laws of England & Wales.

3.2 Obvious defects in the pedestal should be communicated to the supplier within 30 days from the delivery date of goods on site/warehouse. Claims regarding obvious defects after this period will not be considered.

3.3 To be able to make use of the Warranty the product – Mega Balance Pedestals- must be installed according to the Installation Instructions. Use fixings recommended and approved by Wallbarn Ltd as indicated in the appropriate technical documentation. The use of other types of fixtures not provided or approved by Wallbarn Ltd invalidates this Warranty.

3.4 If a claim is granted before installing the material, faulty pedestals are replaced free of charge.

3.5 No claims can be accepted after installing the material if the buyer could have detected the defects before installation. This Warranty does not cover damage caused by third parties before installation.

TRANSPORT INFORMATION

The best method of transportation is strapped securely onto pallets.



KEY CONTACTS

Wallbarn Ltd.

Unit 16 Capital Business Centre,
22 Carlton Road,
South Croydon CR2 0BS

Tel: +44 (0)20 8916 2222

Fax: +44 (0)20 8916 2223

Email: sales@wallbarn.com

Web: www.wallbarn.com

The following table summarizes the products referenced in this document:

Product	URL
MiniPad Pedestals	https://www.wallbarn.com/pedestals-2/minipad/
Pedestal Accessories Metal Edge Plate Ventus Uplift Bracket Acoustic Pad Levelling Shims	Links https://www.wallbarn.com/pedestals-2/metal-edging-plate/ https://www.wallbarn.com/pedestals-2/wind-uplift-bracket/ https://www.wallbarn.com/pedestals-2/rubber-crumb-acoustic-pad/ https://www.wallbarn.com/pedestals-2/pedestal-accessories/shims-for-pedestals/
Wallbarn Ltd Terms & Conditions	https://www.wallbarn.com/substructure/plastic-pedestal-substructure-system/



LIMITED WARRANTY

Wallbarn Ltd provides a limited warranty of 15 years for products. This Warranty corresponds to the performance and strength characteristics given in the published technical datasheets.

Wallbarn Ltd warrants that, under normal use and service conditions, and where the products have been installed in the proper manner, Wallbarn Ltd products shall be free from material defects in workmanship and materials, shall not crack, splinter, swell, rot or suffer structural damage from damp or fungal decay.

If a defect occurs within the Warranty Period, the Purchaser shall notify Wallbarn Ltd in writing and, after investigation and confirmation of the defect(s) by a Wallbarn Ltd representative, Wallbarn Ltd's sole responsibility shall be limited to replacement of the affected products or to refund the Purchaser up to the maximum value of the Sales Invoice.

This warranty is null and void if:

- The products are not installed in the proper manner as detailed in official Wallbarn Ltd product catalogues, installation guides and technical datasheets.
- The products are not used for the purposes they are intended, as detailed in official Wallbarn Ltd product catalogues, installation guides and technical datasheets.
- Excessive weights, higher than the maximum weight as detailed in official Wallbarn Ltd product catalogues, installation guides and technical datasheets are placed onto the products.
- The products are installed in contravention of any relevant building regulations, code or standards.
- Any relevant building regulations, code or standards, including fire safety regulations are breached on the project during the construction process.
- There is movement, distortion, collapse or settling of the supporting structure on which Wallbarn Ltd products are installed.
- Any abnormal natural event such as flooding, hurricane, earthquake, lightning, etc., occurs.



Wallbarn Ltd – Limited Warranty

This limited warranty does not cover any living product or any product which sustains life. This includes sedum and other plants and substrate mixes for M-Tray® and any other green roof system. The living and growing elements of M-Tray® and other green roof systems are specifically excluded from this Warranty.

This Warranty is limited to the maximum amount of the Sales Invoice and Wallbarn Ltd is not liable for any costs of examination, removal or installation of products. Wallbarn Ltd will not be responsible for any costs or expenses incurred during removal and replacement, including labour or transport costs.

This warranty is given only if the products are used for the purposes they are intended, as detailed in official Wallbarn Ltd product catalogues, installation guides and technical datasheets and are installed in the correct manner.

To make a claim under this Limited Warranty, the Purchaser should contact Wallbarn Ltd with a full report of the defects within the Warranty Period, including photographic evidence and proof of purchase. Any claim should be made to sales@wallbarn.com as soon as possible by the Purchaser.

Our Terms & Conditions of Supply can be found here
<https://www.wallbarn.com/terms-conditions-of-supply/>

Wallbarn Ltd
Unit 16 Capital Business Centre
22 Carlton Road, South Croydon. CR2 0BS

IMS.T.1052.v2

Phone : 0208 916 2222 Email : sales@wallbarn.com Website : www.wallbarn.com