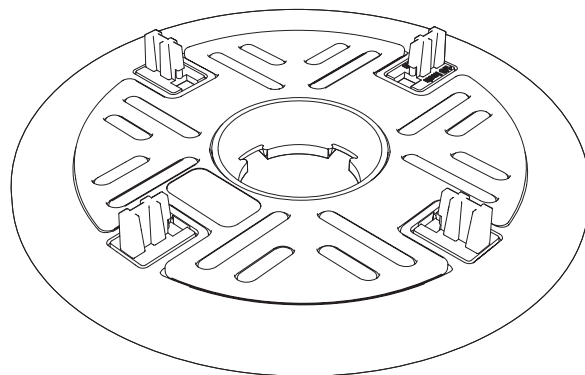
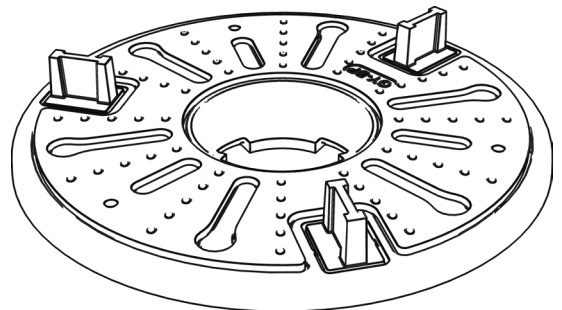
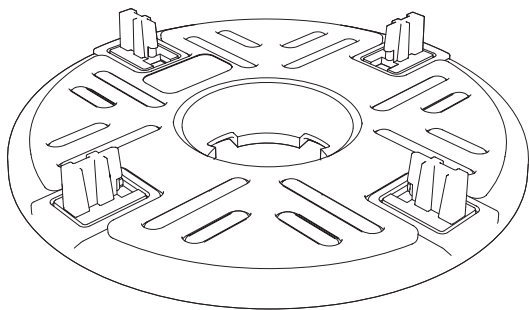




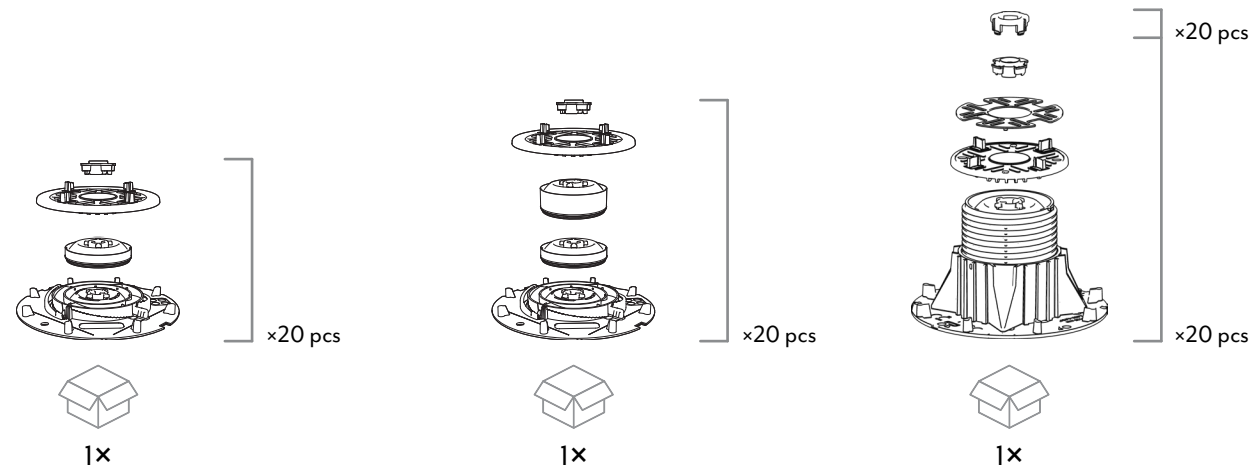
MEGA BALANCE & MINI MEGA BALANCE

ASSEMBLY AND INSTALLATION INSTRUCTIONS



Mega Balance & Mini Mega Balance Assembly 25-1025 mm

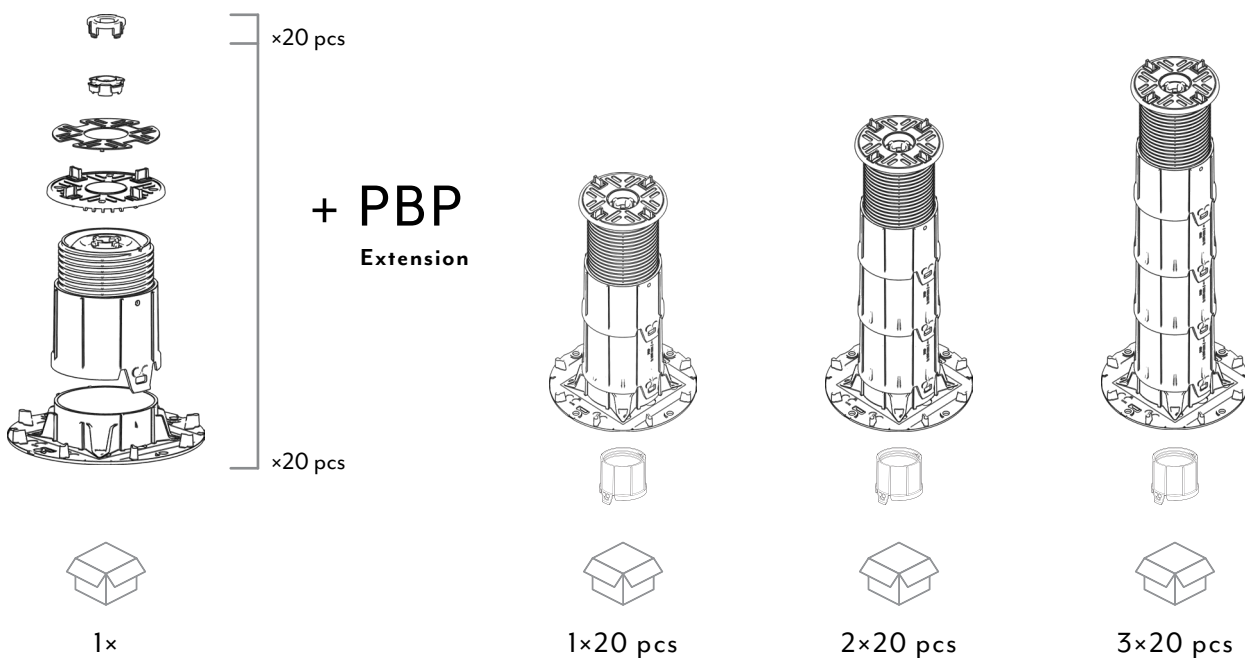
Adjust height by turning headpiece or by using the Key



MINI MEGA BALANCE
25-50
(Mini Dome included)

MINI MEGA BALANCE
+ DOME
25-75
(Mini Dome included)

SP-MEG-BAL-075
75-125



SP-MEG-BAL-125
125-225

SP-MEG-BAL-225
225-325

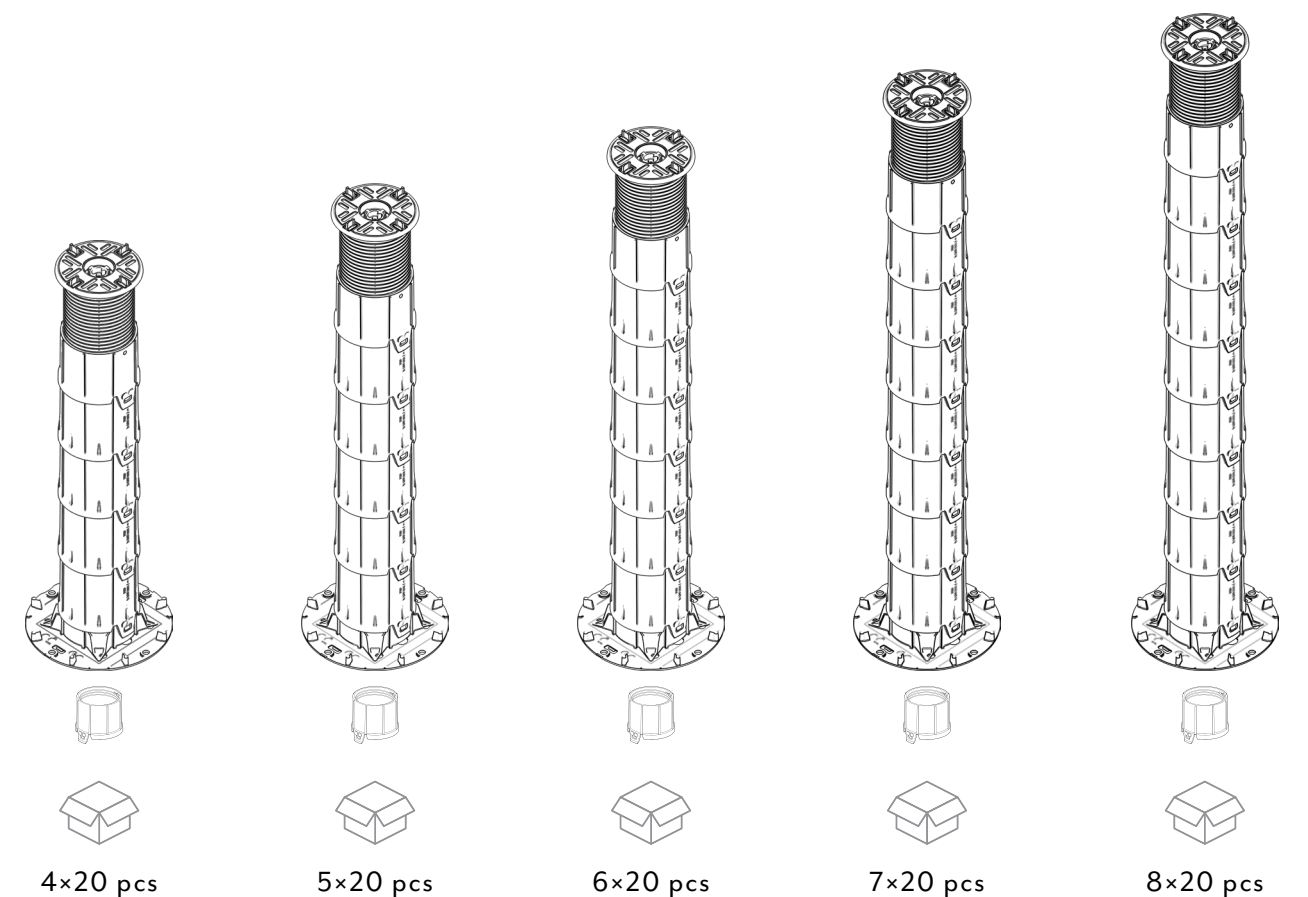
SP-MEG-BAL-325
325-425

SP-MEG-BAL-425
425-525

Dome extension of 25 mm compatible with MegaBalance range.
Position Dome between the screw of the support and the head.
*Product sold separately.

HEAD
DOME
SCREW

NEW



SP-MEG-BAL-525
525-625

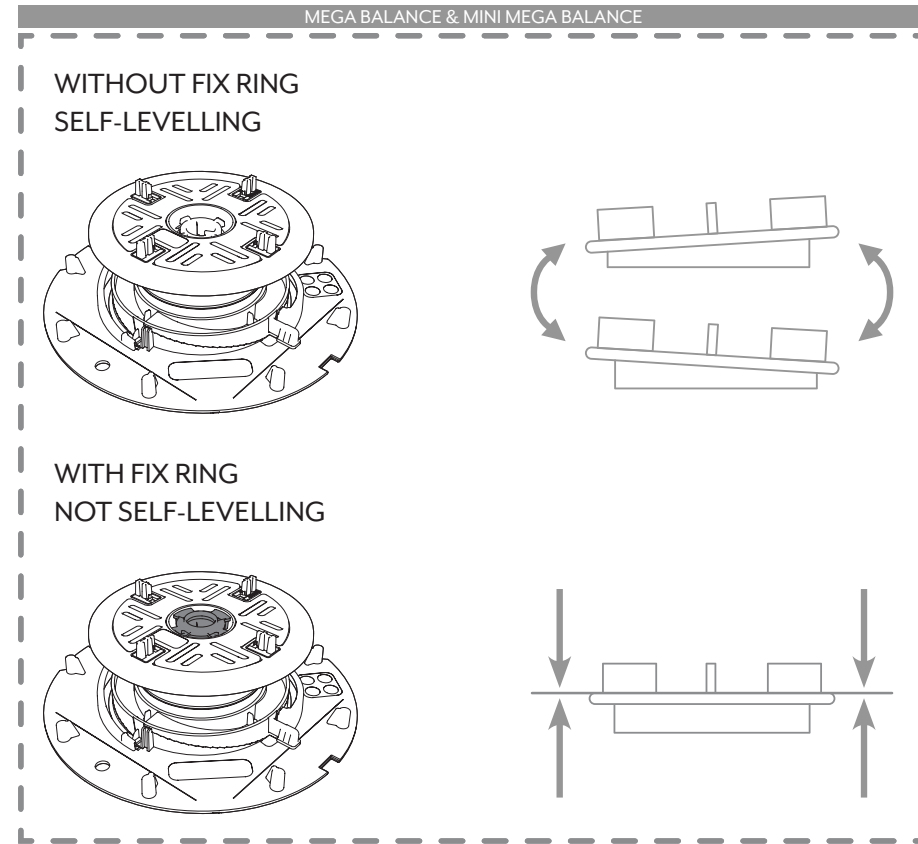
SP-MEG-BAL-625
625-725

SP-MEG-BAL-725
725-825

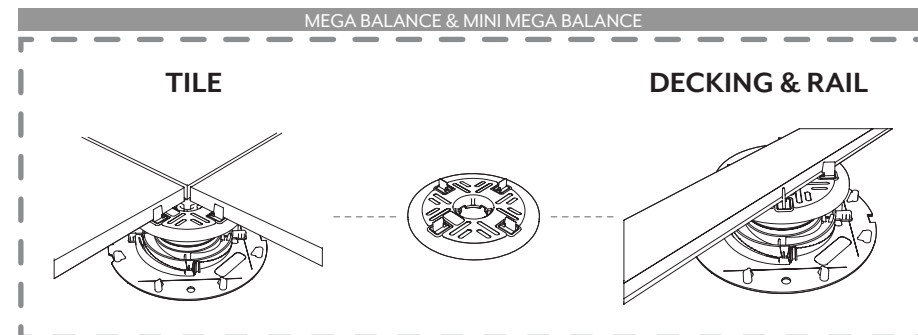
SP-MEG-BAL-825
825-925

SP-MEG-BAL-925
925-1025

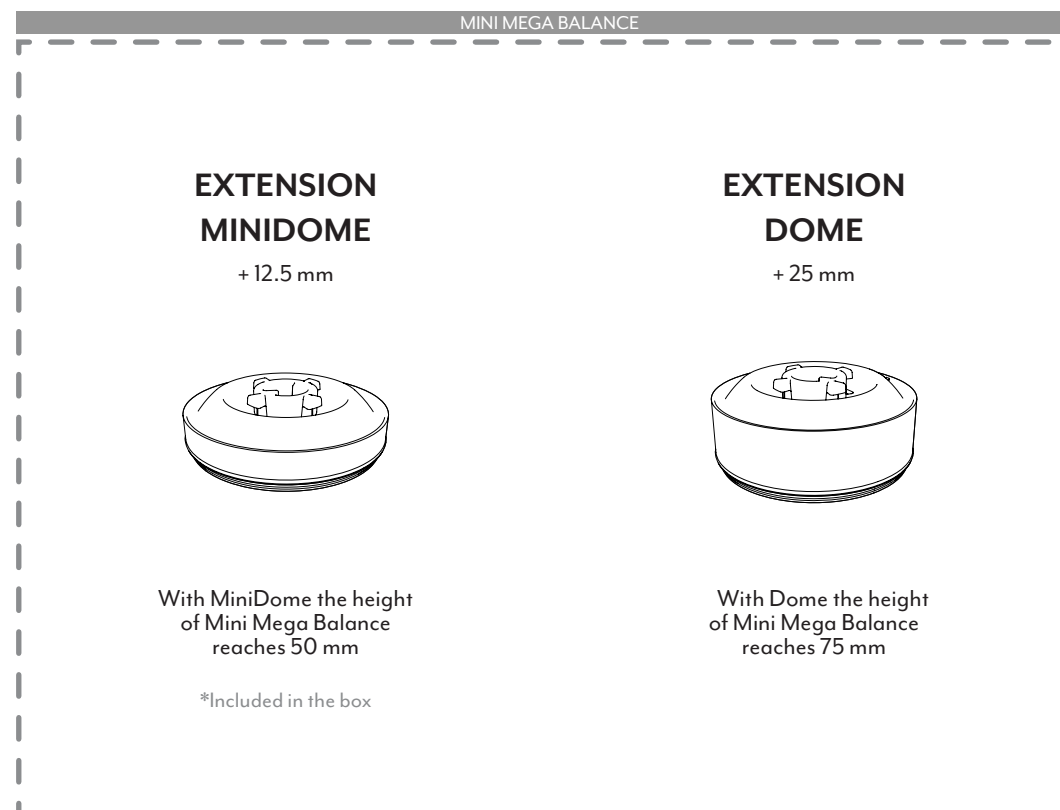
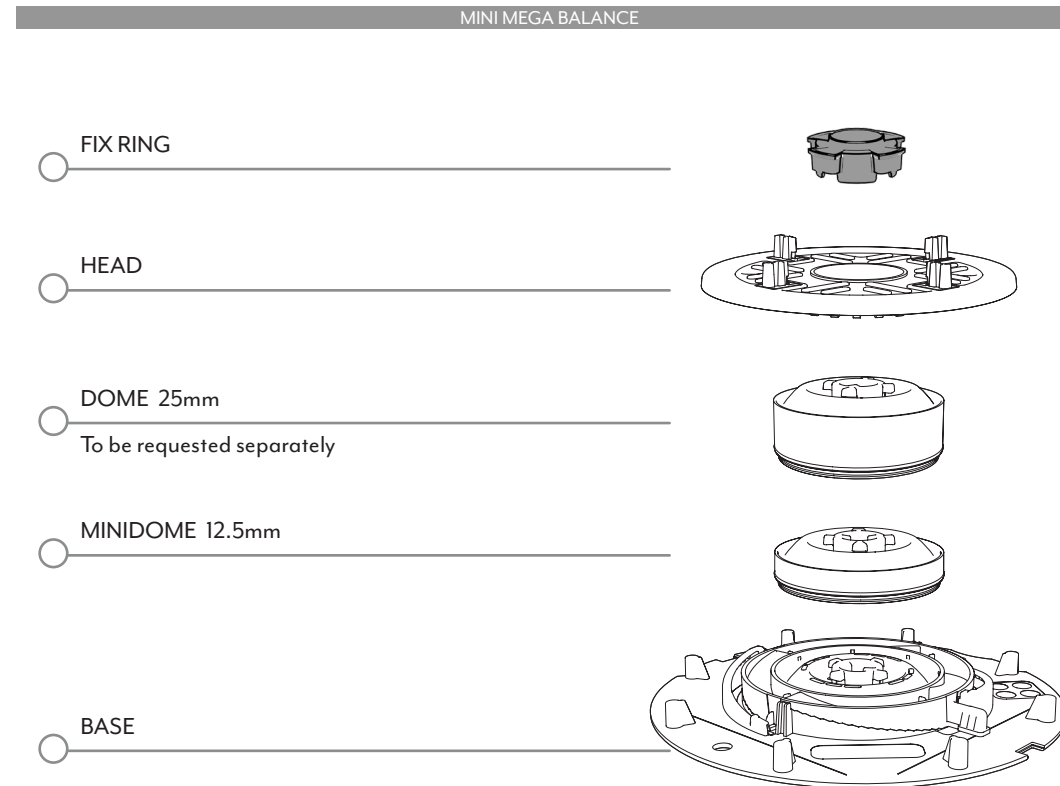
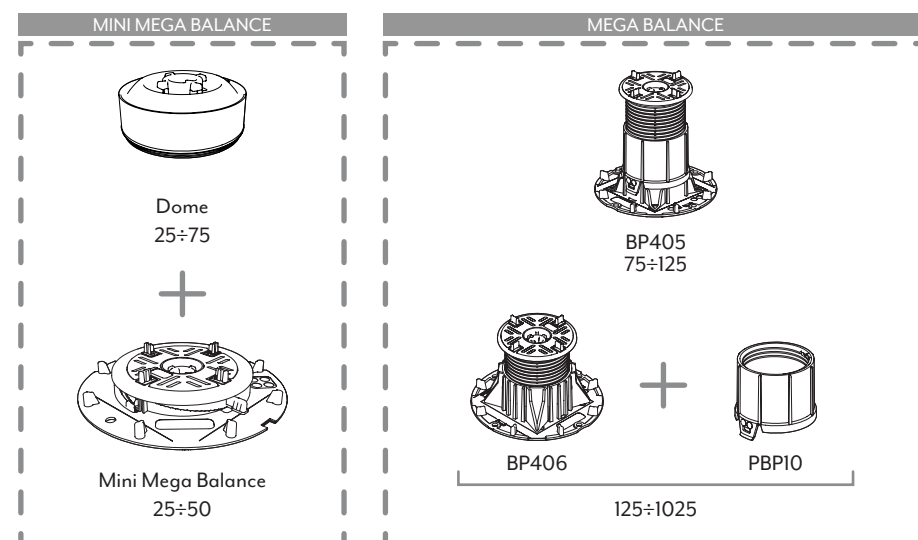
SELF-LEVELLING SYSTEM



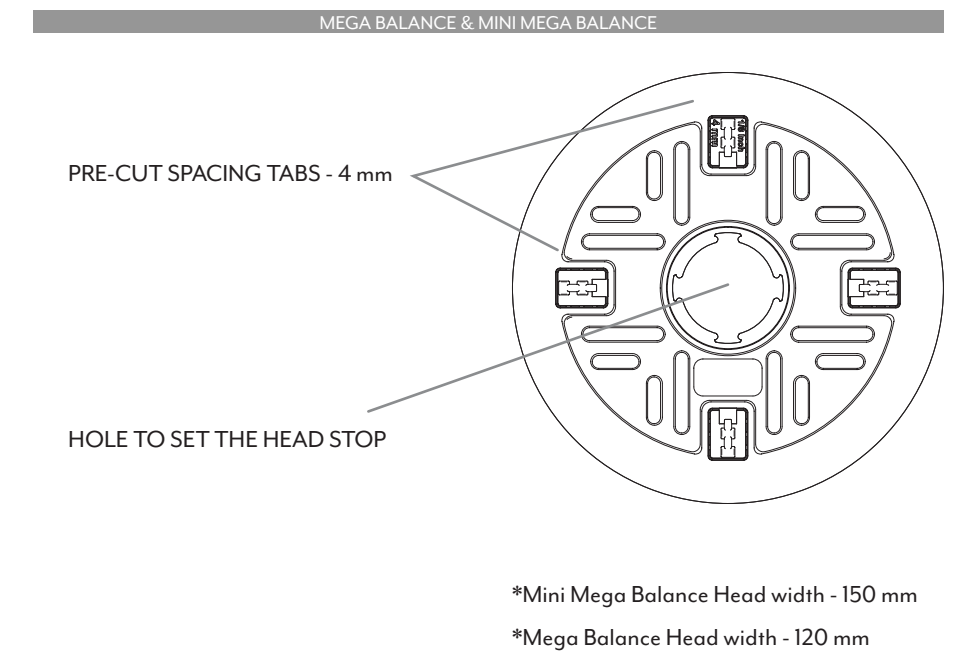
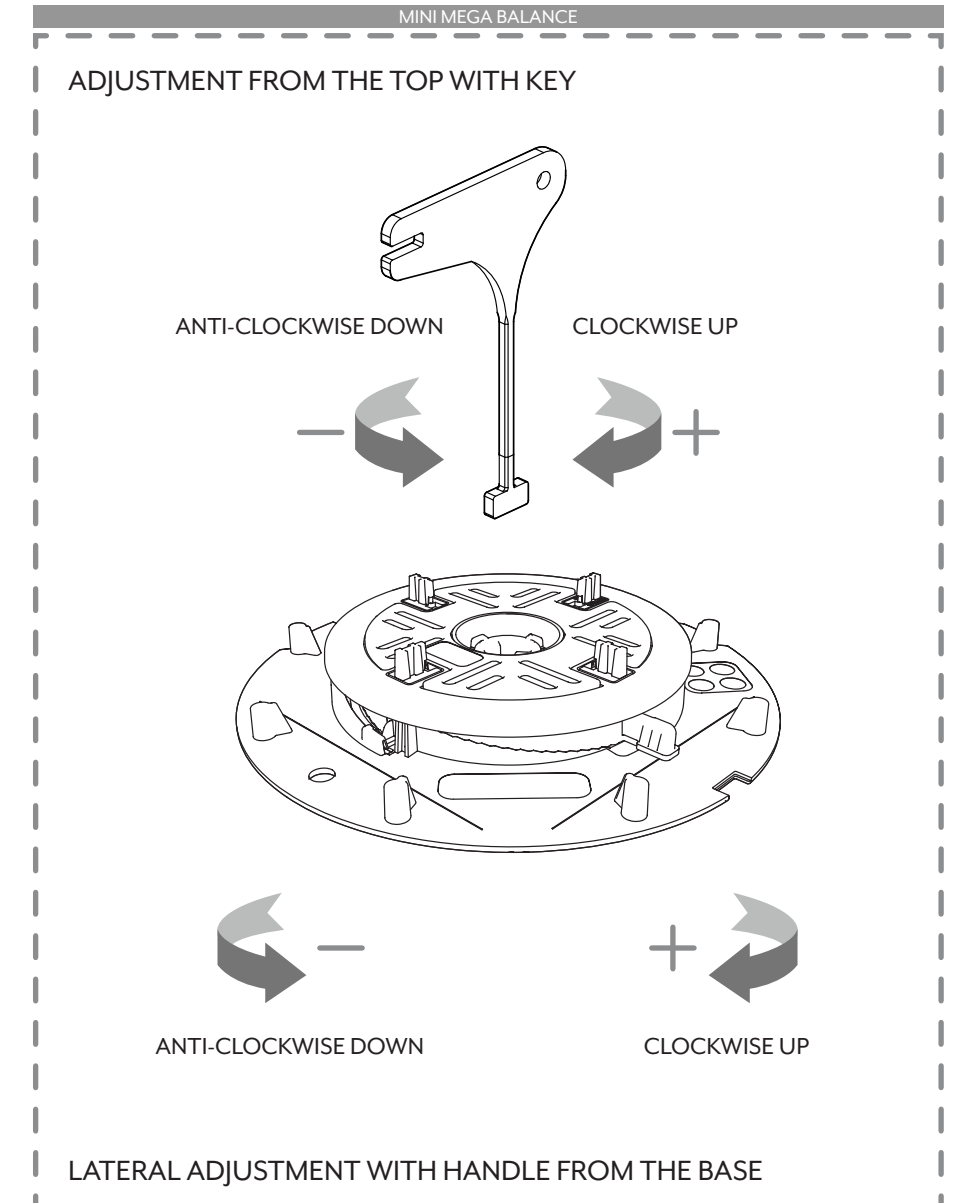
SINGLE HEAD FOR PAVING, DECKING JOISTS AND RAIL SYSTEM



From 25 to 1025 mm with 3 PRODUCTS AND 2 EXTENSIONS



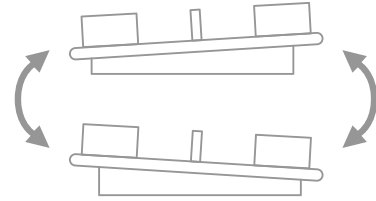
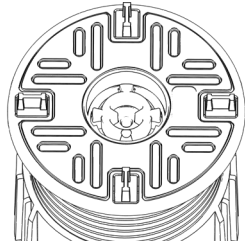
HEIGHT ADJUSTMENT



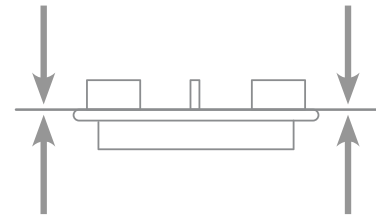
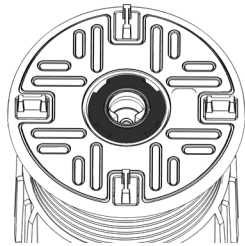
THE BLACK NUT FOR MEGA BALANCE

MEGA BALANCE

WITHOUT THE GREY NUT INSERTED
THE HEADPIECE IS SELF LEVELLING



CLICK THE GREY NUT INTO THE CENTRE OF
THE HEADPIECE TO LOCK THE HEADPIECE



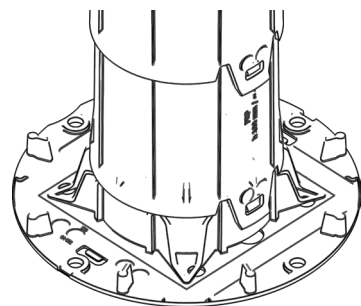
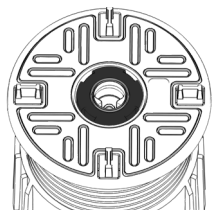
MEGA BALANCE



INSERT THE BLACK NUT INTO THE HEADPIECE

Mega Balance pedestals are placed under the centre of a tile. When users are placing Mega Balance under the centre of the tile and adjusting height, installers cannot get their hands into the tight gap between base and stem at low heights, so the Black Nut needs to be added to lock the pedestal thread and allow height adjustment using the spokes on the baseplate.

You can use your hand to turn the spokes and adjust the height.

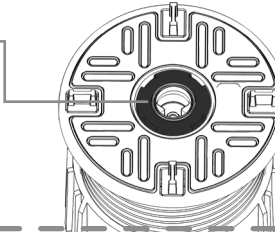


TWIST THE PEDESTAL FROM THE BASE

MEGA BALANCE

THE BLACK NUT

Insert into centre of headpiece. This allows height adjustment of the thread using your hands on stem, where pedestal is under centre of tile, for example. See overleaf for instructions on adjusting low height pedestals.



THE BLACK NUT



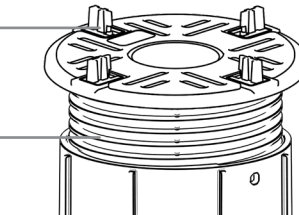
THE GREY NUT



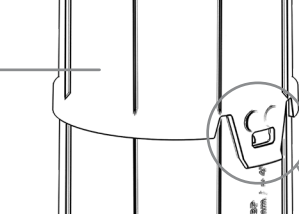
HEADPIECE



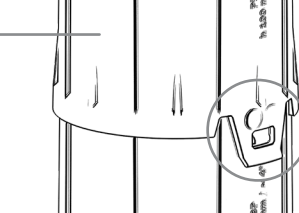
HEIGHT ADJUSTMENT WIRE THREAD



RING NUT, ATTACHED TO THREAD



EXTENSION SHANK



EXTENSION SHANK

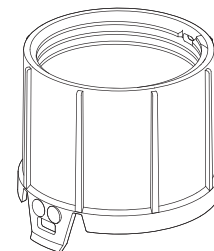


BASE



EXTENSION SHANK

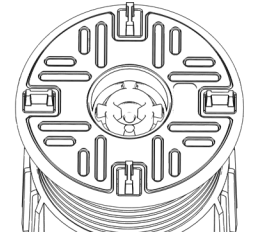
100 mm extension tower



HEIGHT ADJUSTMENT

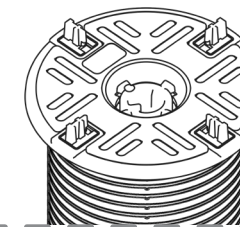
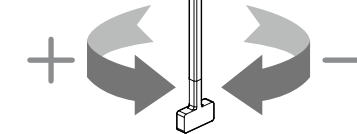
MEGA BALANCE

USE THE SILVER KEY



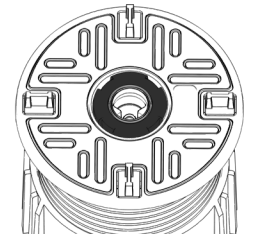
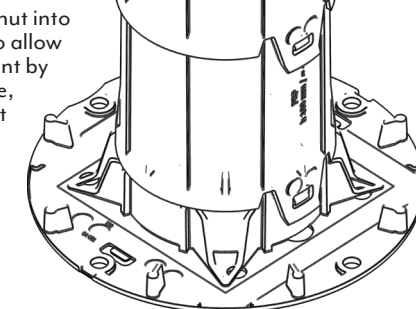
ANTI-CLOCKWISE UP

CLOCKWISE DOWN



AVOID THE NEED TO LIFT
THE TILE WHEN MAKING
ADJUSTMENTS

Insert the black nut into
the headpiece to allow
height adjustment by
twisting the base,
adjust the height
twisting the
pedestal from
the base.



ANTI-CLOCKWISE DOWN

CLOCKWISE UP

MEGA BALANCE

HEAD TYPES AVAILABLE



TBP2



TY2BP

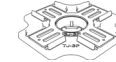


TY4BP

FOR TILES



TH-BP



TJ-BP



TBP2

FOR RAIL SYSTEM



TD-BP



TX-BP

FOR DECKING



SOLUTIONS FOR ROOFTOP LIVING

Unit 16 - Capital Business Centre
22 Carlton Road, South Croydon - CR2 0BS United Kingdom

+44 (0)20 8916 2222
sales@wallbarn.com - www.wallbarn.com